

**PRACHT®**  
PRO LINE



Top-Innovator  
2024

# PRO LINE

## LIGHT FOR THE EXTREME

**CUSTOMIZED  
SOLUTIONS FOR  
EXTREME  
REQUIRMENTS**

# 1 MANUFACTURER 4 SEGMENTS 4000+ LUMINAIRES

## THE RIGHT LUMINAIRE FOR EVERY REQUIREMENT

### LARGEST WET ROOM RANGE IN EUROPE

A luminaire range from light for every day use up to tailor-made individual solutions for extreme demands. A portfolio for all requirements.

### ECONOMICAL & EFFICIENT

In terms of purchase and maintenance, PRACHT luminaires stand for high efficiency at the best price-performance ratio.

### BRAND QUALITY

Over 100 years of experience make PRACHT the lighting specialist for all wet room and industrial applications.

### GREEN INNOVATION

Transparent sustainability and energy efficiency - Long-life components, recycled materials (REMADE), easy to replace exchangeability of electronics (REUSE) and a high level of material expertise are the hallmarks of PRACHT's sustainable offering.

## ECO LINE LIGHT FOR EVERYDAY LIFE

**ECONOMIC.  
EASY.  
EFFICIENT.**

Full-LED and RETRO-FIT luminaires with a unbeatable price-performance ratio:

- Cellars
- Corridors
- Technical rooms
- Garages
- Warehouse



## BASIC LINE LIGHT FOR PROFESSIONALS



High-quality, easy to install luminaires, suitable for industry applications

- Unprotected outdoor areas
- Production areas
- Agricultures
- Logistics
- Underground garages
- Warehouses
- Pits
- Car washes
- Corridors
- Side rooms



## PRO LINE LIGHT FOR THE EXTREME



Industrial luminaires of the highest quality, durability and robustness. Customizable depending on individual requirements. Warranty 5 Years+

- Demanding industrial sectors such as food & beverages
- Potentially explosive areas
- Chemical & noxious gas contaminated environments
- High & low temperatures
- Vandalism protected
- Electroplatings
- Transportation companies

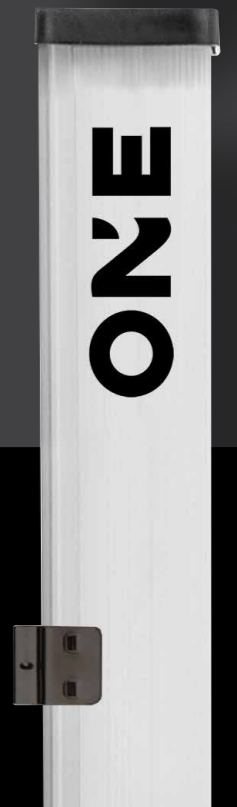


## ONE CONNECT LIGHTING SYSTEMS

**STANDARD  
BECOME  
SYSTEMS**

ONE CONNECT, made from 99% recycled material, turns individual luminaires into a variety of lighting systems and shapes

- Reception & recreation areas
- Offices
- Garages
- Cellars
- Corridors & hallways
- Technical rooms & workshops



# SECTORS

## LIGHT FOR THE EXTREME

Customised lighting solutions for special requirements and areas of application - that's what the PRO LINE from PRACT stands for. Resistance to heat, cold, aggressive gases and liquids or the guarantee of safety are just a few examples of the special performance of the luminaires from the PRACT PRO LINE. Networked and controlled IOT solutions are also part of the segment as well as the fulfilment of many other requirements.

In a nutshell: The PRO LINE starts where others stop. With a guarantee of 5 years and more, these luminaires stand for the highest quality MADE IN GERMANY and combine the PRACT expertise of many decades in the development of reliable and innovative lighting solutions. PRACT is the first and only manufacturer in the world to offer industrial-grade lighting solutions made from up to 99% recycled material in the PRO LINE. We will be happy to introduce you to many other sustainability initiatives along the product life cycle, such as the interchangeability of components or refurbishing options.

High quality advice and project support are particularly important in project lighting. As a medium-sized family business we place the highest value on accessibility, short distances and a trusting and reliable working relationship. Make your own impression and plan with PRACT luminaires via DIALUX and RELUX. We are happy to support you with free lighting calculations and detailed product information.

[pracht.com/our-luminaires](http://pracht.com/our-luminaires)



TRANSPORT SERVICES

FOOD & BEVERAGE

AGRICULTURE

LOGISTICS

HEAVY DUTY

MULTI-STOREY CAR PARKS

SWIMMING POOLS

SPORTS FACILITIES

EX-PROOF AREAS

VANDALISM PROTECTION



# APOLLO

## G2 | G2 INDUSTRY | REMADE

**HOUSING** Fully sealed housing made of white, glass fiber reinforced polyester, hardly flammable, substantially acid and alkali resistant or REMADE.

**LAMP HOLDER END PIECES** With PRACTH EASY CONNECT (PEC) System for fast one-man-mounting via encoded plug-in connection.

**LAMP COVER** With parabolic mirror reflector, swivelling, made of PRACTHOPAL® (impact resistant), clear PMMA (deep 30°) or REMADE.

**SEALS** Short, ageing resistant silicone seals.

**ELECTRICAL COMPONENTS** Thermic decoupled high performance LEDs and converters.

**THROUGH-WIRING** 7x2.5 mm<sup>2</sup> max. available.

**INSTALLATION** Variable mounting points due to PRACTH-CLIP-SYSTEM made of stainless steel. Suitable for ceiling, pendant and horizontal wall mounting.

Optionally available as a recessed version.

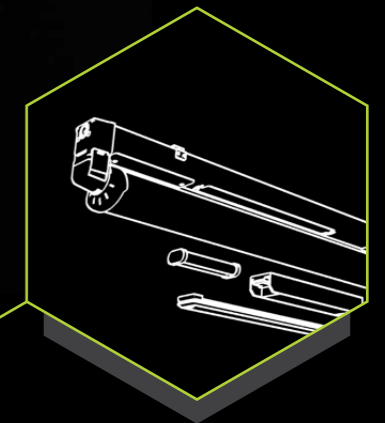
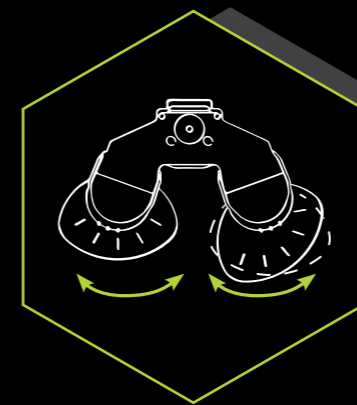
**FIELDS OF APPLICATION** Industrial halls, logistic centers, cold storage facilities, workshops, maintenance and production halls.

**TECHNICAL DETAILS** See all technical and lighting data concerning our luminaires on pracht.com

### DETERMINED

Swivelling reflectors ensure perfect illumination.

### PRACTH

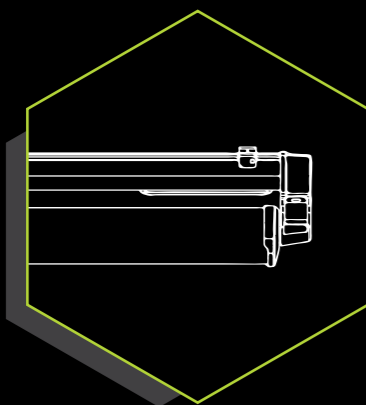


### VERSATILE

A matter of definition - Through-wiring, sensors, emergency light, everything is possible.

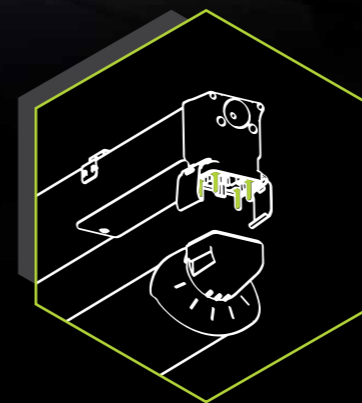


SCAN HERE FOR THE APOLLO FLYER



### TIME IS MONEY

Time-saving thanks to the PEC-System and optional Plug'n Play (pnp) Quick Exchange Converter.



### PRACTH EASY CONNECT (PET) SYSTEM

Revolutionized guided plug-in connection for one-man-mounting ensuring the simplest reflector installation.

### FROM EVERYDAY TO EXTREME - THE RIGHT SEGMENT FOR EVERY REQUIREMENT

#### ECO LINE

**FOR EVERYDAY LIFE**  
Cost-effective and easy to assemble

#### BASIC LINE

**FOR PROFESSIONALS**  
Industrial quality with 5 year PRACTH warranty

#### PRO LINE

**FOR THE EXTREME**  
Customised solutions & highest requirements

5

YEAR WARRANTY



UP TO 100.000 h LIFETIME



CONTAINS A LIGHT SOURCE OF ENERGY EFFICIENCY CLASS A

IP65

RECYCLED 98% OLD PLASTIC

REMADESCORE



FROM -45 °C TO +65 °C DEPENDING ON MODEL



**APOLLO G2** from -20° to +45° C, 1260 mm length, Ra > 80, color temperature 4000 K, with one reflector (180° swivelling).

	Power	Luminous flux	Wide 90°	Medium 80°	Deep 60°	Narrow 30°	Weight
ON/OFF	1x14 W	2600 lm	94 * 0014w	94 * 0014m	94 * 0014n	94 * 1014d	2,7 kg
	1x22 W	3700 lm	94 * 0024w	94 * 0024m	94 * 0024n	94 * 1024d	2,7 kg
	1x28 W	4800 lm	94 * 0034w	94 * 0034m	94 * 0034n	94 * 1034d	2,7 kg
	1x36 W	5800 lm	94 * 0044w	94 * 0044m	94 * 0044n	94 * 1044d	2,7 kg
	1x51 W	8100 lm	94 * 0054w	94 * 0054m	94 * 0054n	94 * 1054d	2,7 kg
DIM-DALI	1x14 W	2600 lm	94 * 0019w	94 * 0019m	94 * 0019n	94 * 1019d	2,7 kg
	1x22 W	3700 lm	94 * 0029w	94 * 0029m	94 * 0029n	94 * 1029d	2,7 kg
	1x28 W	4800 lm	94 * 0039w	94 * 0039m	94 * 0039n	94 * 1039d	2,7 kg
	1x36 W	5800 lm	94 * 0049w	94 * 0049m	94 * 0049n	94 * 1049d	2,7 kg
	1x51 W	8100 lm	94 * 0059w	94 * 0059m	94 * 0059n	94 * 1059d	2,7 kg

**APOLLO G2** from -20° to +45° C, 1260 mm length, Ra > 80, color temperature 4000 K, with two reflectors (each 160° swivelling).

	Power	Luminous flux	Wide 90°	Medium 80°	Deep 60°	Narrow 30°	Weight
ON/OFF	2x14 W	5200 lm	94 * 0074w	94 * 0074m	94 * 0074n	94 * 1074d	4,4 kg
	2x21 W	7400 lm	94 * 0084w	94 * 0084m	94 * 0084n	94 * 1084d	4,4 kg
	2x28 W	9600 lm	94 * 0094w	94 * 0094m	94 * 0094n	94 * 1094d	4,4 kg
	2x36 W	11600 lm	94 * 0004w	94 * 0004m	94 * 0004n	94 * 1004d	4,4 kg
	2x51 W	16200 lm	94 * 00a4w	94 * 00a4m	94 * 00a4n	94 * 1004d	4,4 kg
DIM-DALI	2x14 W	5200 lm	94 * 0079w	94 * 0079m	94 * 0079n	94 * 1079d	4,4 kg
	2x21 W	7400 lm	94 * 0089w	94 * 0089m	94 * 0089n	94 * 1089d	4,4 kg
	2x28 W	9600 lm	94 * 0099w	94 * 0099m	94 * 0099n	94 * 1099d	4,4 kg
	2x36 W	11600 lm	94 * 0009w	94 * 0009m	94 * 0009n	94 * 1009d	4,4 kg
	2x51 W	16200 lm	94 * 00a9w	94 * 00a9m	94 * 00a9n	94 * 10a9d	4,4 kg

**APOLLO G2** from -20° to +45° C, 1560 mm length, Ra > 80, color temperature 4000 K, with one reflector (180° swivelling).

	Power	Luminous flux	Wide 90°	Medium 80°	Deep 60°	Narrow 30°	Weight
ON/OFF	1x27 W	4700 lm	94 * 0025w	94 * 0025m	94 * 0025n	94 * 1025d	3,1 kg
	1x36 W	6000 lm	94 * 0035w	94 * 0035m	94 * 0035n	94 * 1035d	3,1 kg
	1x44 W	7200 lm	94 * 0045w	94 * 0045m	94 * 0045n	94 * 1045d	3,1 kg
	1x64 W	10200 lm	94 * 0055w	94 * 0055m	94 * 0055n	94 * 1055d	3,1 kg
	1x86 W	12500 lm	94 * 0065w	94 * 0065m	94 * 0065n	94 * 1065d	3,1 kg
DIM-DALI	1x99 W	15000 lm	94 * 00c5w	94 * 00c5m	94 * 00c5n	94 * 10c5d	3,1 kg
	1x27 W	4700 lm	94 * 0020w	94 * 0020m	94 * 0020n	94 * 1020d	3,1 kg
	1x36 W	6000 lm	94 * 0030w	94 * 0030m	94 * 0030n	94 * 1030d	3,1 kg
	1x44 W	7200 lm	94 * 0040w	94 * 0040m	94 * 0040n	94 * 1040d	3,1 kg
	1x64 W	10200 lm	94 * 0050w	94 * 0050m	94 * 0050n	94 * 1050d	3,1 kg

**APOLLO G2** from -20° to +45° C, 1560 mm length, Ra > 80, color temperature 4000 K, with two reflectors (each 160° swivelling).

	Power	Luminous flux	Wide 90°	Medium 80°	Deep 60°	Narrow 30°	Weight
ON/OFF	2x27 W	9400 lm	94 * 0085w	94 * 0085m	94 * 0085n	94 * 1085d	4,7 kg
	2x36 W	12000 lm	94 * 0095w	94 * 0095m	94 * 0095n	94 * 1095d	4,7 kg
	2x44 W	14400 lm	94 * 0005w	94 * 0005m	94 * 0005n	94 * 1005d	4,7 kg
	2x64 W	20400 lm	94 * 00a5w	94 * 00a5m	94 * 00a5n	94 * 10a5d	4,7 kg
	2x86 W	25000 lm	94 * 00b5w	94 * 00b5m	94 * 00b5n	94 * 10b5d	4,7 kg
DIM-DALI	2x99 W	30000 lm	94 * 00d5w	94 * 00d5m	94 * 00d5n	94 * 10d5d	4,7 kg
	2x27 W	9400 lm	94 * 0080w	94 * 0080m	94 * 0080n	94 * 1080d	4,7 kg
	2x36 W	12000 lm	94 * 0090w	94 * 0090m	94 * 0090n	94 * 1090d	4,7 kg
	2x44 W	14400 lm	94 * 0000w	94 * 0000m	94 * 0000n	94 * 1000d	4,7 kg
	2x64 W	20400 lm	94 * 00a0w	94 * 00a0m	94 * 00a0n	94 * 10a0d	4,7 kg

**APOLLO G2 INDUSTRY** from -45° to +65° C, 1260 mm length, color temperature 4000 K, with one reflector (180° swivelling).

	Power	Luminous flux	Wide 90°	Medium 80°	Deep 60°	Narrow 30°	Weight	Temperature
ON/OFF	1x21 W	3700 lm	94 * 0224w	94 * 0224m	94 * 0224n	94 * 0224d	2,7 kg	-45° to +65° C
	1x31 W	4800 lm	94 * 0234w	94 * 0234m	94 * 0234n	94 * 0234d	2,7 kg	-45° to +65° C
	1x38 W	5800 lm	94 * 0244w	94 * 0244m	94 * 0244n	94 * 0244d	2,7 kg	-45° to +60° C
	1x55 W	8100 lm	94 * 0254w	94 * 0254m	94 * 0254n	94 * 0254d	2,7 kg	-45° to +55° C
	DIM-DALI	1x21 W	3700 lm	94 * 0229w	94 * 0229m	94 * 0229n	94 * 0229d	2,7 kg
1x31 W		4800 lm	94 * 0239w	94 * 0239m	94 * 0239n	94 * 0239d	2,7 kg	-45° to +65° C
1x38 W		5800 lm	94 * 0249w	94 * 0249m	94 * 0249n	94 * 0249d	2,7 kg	-45° to +60° C
1x55 W		8100 lm	94 * 0259w	94 * 0259m	94 * 0259n	94 * 0259d	2,7 kg	-45° to +55° C

**APOLLO G2 INDUSTRY** from -45° to +65° C, 1260 mm length, color temperature 4000 K, with two reflectors (each 160° swivelling).

	Power	Luminous flux	Wide 90°	Medium 80°	Deep 60°	Narrow 30°	Weight	Temperature
ON/OFF	2x21 W	7400 lm	94 * 0284w	94 * 0284m	94 * 0284n	94 * 0284d	3,7 kg	-45° to +65° C
	2x31 W	9600 lm	94 * 0294w	94 * 0294m	94 * 0294n	94 * 0294d	3,7 kg	-45° to +60° C
	2x38 W	11600 lm	94 * 0204w	94 * 0204m	94 * 0204n	94 * 0204d	3,7 kg	-45° to +60° C
	2x55 W	16200 lm	94 * 02a4w	94 * 02a4m	94 * 02a4n	94 * 02a4d	3,7 kg	-45° to +50° C
	DIM-DALI	2x21 W	7400 lm	94 * 0289w	94 * 0289m	94 * 0289n	94 * 0289d	3,7 kg
2x31 W		9600 lm	94 * 0299w	94 * 0299m	94 * 0299n	94 * 0299d	3,7 kg	-45° to +60° C
2x38 W		11600 lm	94 * 0209w	94 * 0209m	94 * 0209n	94 * 0209d	3,7 kg	-45° to +60° C
2x55 W		16200 lm	94 * 02a9w	94 * 02a9m	94 * 02a9n	94 * 02a9d	3,7 kg	-45° to +50° C

**APOLLO G2 INDUSTRY** from -45° to +65° C, 1560 mm length, color temperature 4000 K, with one reflector (180° swivelling).

	Power	Luminous flux	Wide 90°	Medium 80°	Deep 60°	Narrow 30°	Weight	Temperature
ON/OFF	1x29 W	4700 lm	94 * 0225w	94 * 0225m	94 * 0225n	94 * 0225d	3,1 kg	-45° to +65° C
	1x38 W	6000 lm	94 * 0235w	94 * 0235m	94 * 0235n	94 * 0235d	3,1 kg	-45° to +65° C
	1x46 W	7200 lm	94 * 0245w	94 * 0245m	94 * 0245n	94 * 0245d	3,1 kg	-45° to +60° C
	1x70 W	10200 lm	94 * 0255w	94 * 0255m	94 * 0255n	94 * 0255d	3,1 kg	-45° to +50° C
	DIM-DALI	1x83 W	12500 lm	94 * 0265w	94 * 0265m	94 * 0265n	94 * 0265d	3,1 kg
1x29 W		4700 lm	94 * 0220w	94 * 0220m	94 * 0220n	94 * 0220d	3,1 kg	-45° to +55° C
1x38 W		6000 lm	94 * 0230w	94 * 0230m	94 * 0230n	94 * 0230d	3,1 kg	-45° to +65° C
1x46 W		7200 lm	94 * 0240w	94 * 0240m	94 * 0240n	94 * 0240d	3,1 kg	-45° to +65° C
1x70 W		10200 lm	94 * 0250w	94 * 0250m	94 * 0250n	94 * 0250d	3,1 kg	-45° to +65° C

**APOLLO G2 INDUSTRY** from -45° to +65° C, 1560 mm length, color temperature 4000 K, with two reflectors (each 160° swivelling).

	Power	Luminous flux	Wide 90°	Medium 80°	Deep 60°	Narrow 30°	Weight	Temperature
ON/OFF	2x29 W	9400 lm	94 * 0285w	94 * 0285m	94 * 0285n	94 * 0285d	4,2 kg	-45° to +65° C
	2x38 W	12000 lm	94 * 0295w	94 * 0295m	94 * 0295n	94 * 0295d	4,2 kg	-45° to +60° C
	2x46 W	14400 lm	94 * 0205w	94 * 0205m	94 * 0205n	94 * 0205d	4,2 kg	-45° to +55° C
	2x70 W	20400 lm	94 * 02a5w	94 * 02a5m	94 * 02a5n	94 * 02a5d	4,2 kg	-45° to +50° C
	DIM-DALI	2x83 W	25000 lm	94 * 02b5w	94 * 02b5m	94 * 02b5n	94 * 02b5d	4,2 kg
2x29 W		9400 lm	94 * 0280w	94 * 0280m	94 * 0280n	94 * 0280d	4,2 kg	-45° to +65° C
2x38 W		12000 lm	94 * 0290w	94 * 0290m	94 * 0290n	94 * 0290d	4,2 kg	-45° to +60° C
2x46 W		14400 lm	94 * 0200w	94 * 0200m	94 * 0200n	94 * 0200d	4,2 kg	-45° to +55° C
2x70 W		20400 lm	94 * 02a0w	94 * 02a0m	94 * 02a0n	94 * 02a0d	4,2 kg	-45° to +50° C



**APOLLO REMADE** with one reflector (180° swivelling), 600 mm length,  $R_a > 80$ , color temperature 4000 K, Ta: -20°C ... +45°C.

ON/OFF	Power	Luminous flux	Wide 90°	Medium 80°	Deep 60°	Weight
	1x21 W	3000 lm	94 * 5042w	94 * 5042m	94 * 5042n	2,0 kg
	1x21 W	3000 lm	94 * 5047w	94 * 5047m	94 * 5047n	2,0 kg

**APOLLO REMADE** with one reflector (180° swivelling), 1200 mm length,  $R_a > 80$ , color temperature 4000 K, Ta: -20°C ... +45°C.

DIM-DALI	Power	Luminous flux	Wide 90°	Medium 80°	Deep 60°	Weight
	1x36 W	5800 lm	94 * 5044w	94 * 5044m	94 * 5044n	2,7 kg
	1x36 W	5800 lm	94 * 5049w	94 * 5049m	94 * 5049n	2,7 kg

**APOLLO REMADE** with two reflectors (180° swivelling), 1200 mm length,  $R_a > 80$ , color temperature 4000 K, Ta: -20°C ... +45°C.

ON/OFF	Power	Luminous flux	Wide 90°	Medium 80°	Deep 60°	Weight
	2x36 W	11600 lm	94 * 5004w	94 * 5004m	94 * 5004n	4,4 kg
	2x36 W	11600 lm	94 * 5009w	94 * 5009m	94 * 5009n	4,4 kg

**APOLLO REMADE** with one reflector (180° swivelling), 1500 mm length,  $R_a > 80$ , color temperature 4000 K, Ta: -20°C ... +45°C.

DIM-DALI	Power	Luminous flux	Wide 90°	Medium 80°	Deep 60°	Weight
	1x44 W	7200 lm	94 * 5045w	94 * 5045m	94 * 5045n	3,1 kg
	1x44 W	7200 lm	94 * 5049w	94 * 5040m	94 * 5040n	3,1 kg

**APOLLO REMADE** with two reflectors (180° swivelling), 1500 mm length,  $R_a > 80$ , color temperature 4000 K, Ta: -20°C ... +45°C.

ON/OFF	Power	Luminous flux	Wide 90°	Medium 80°	Deep 60°	Weight
	2x44 W	14400 lm	94 * 5005w	94 * 5005m	94 * 5005n	4,7 kg
	2x44 W	14400 lm	94 * 5000w	94 * 5000m	94 * 5000n	4,7 kg

**APOLLO G2 ULTRA** with one reflector (180° swivelling), 600 mm length,  $R_a > 80$ , color temperature 4000 K, Ta: -20°C ... +45°C.

DIM-DALI	Power	Luminous flux	Wide 90°	Medium 80°	Deep 60°	Weight
	1x18 W	3600 lm	94 * 0132w	94 * 0132m	94 * 0132n	2,0 kg
	1x18 W	3600 lm	94 * 0137w	94 * 0137m	94 * 0137n	2,0 kg

**APOLLO G2 ULTRA** with one reflector (180° swivelling), 1200 mm length,  $R_a > 80$ , color temperature 4000 K, Ta: -20°C ... +45°C.

ON/OFF	Power	Luminous flux	Wide 90°	Medium 80°	Deep 60°	Weight
	1x34 W	7200 lm	94 * 0134w	94 * 0134m	94 * 0134n	2,7 kg
	1x34 W	7200 lm	94 * 0139w	94 * 0139m	94 * 0139n	2,7 kg

**APOLLO G2 ULTRA** with two reflectors (180° swivelling), 1200 mm length,  $R_a > 80$ , color temperature 4000 K, Ta: -20°C ... +45°C.

DIM-DALI	Power	Luminous flux	Wide 90°	Medium 80°	Deep 60°	Weight
	2x33 W	14400 lm	94 * 0174w	94 * 0174m	94 * 0174n	4,4 kg
	2x33 W	11400 lm	94 * 0179w	94 * 0179m	94 * 0179n	4,4 kg

**APOLLO G2 ULTRA** with one reflector (180° swivelling), 1500 mm length,  $R_a > 80$ , color temperature 4000 K, Ta: -20°C ... +45°C.

ON/OFF	Power	Luminous flux	Wide 90°	Medium 80°	Deep 60°	Weight
	1x42 W	8900 lm	94 * 0135w	94 * 0135m	94 * 0135n	3,1 kg
	1x42 W	8900 lm	94 * 0130w	94 * 0130m	94 * 0130n	3,1 kg

**APOLLO G2 ULTRA** with two reflectors (180° swivel), 1500 mm length,  $R_a > 80$ , color temperature 4000 K, Ta: -20°C ... +45°C.

DIM-DALI	Power	Luminous flux	Wide 90°	Medium 80°	Deep 60°	Weight
	2x41 W	17800 lm	94 * 0175w	94 * 0175m	94 * 0175n	4,7 kg
	2x41 W	17800 lm	94 * 0170w	94 * 0170m	94 * 0170n	4,7 kg



**NOTE**

Please replace the asterisk \* with the needed digit to complete the P/N!

**OTHER LIGHT COLORS AVAILABLE ON REQUEST.**

Just add the light color code to P/N.

Example: 2x33W wide 90° without through-wiring/with 5000K Ra>80: 9300175w850

Light colors differing from standard require longer delivery times. Photometric data is based on light color 840.

**COMPLEMENTARY CODES FOR THROUGH-WIRING**

Without through-wiring  
 2x1,5 mm<sup>2</sup>; for DALI 2x1,5 mm<sup>2</sup> + 2x1,5 mm<sup>2</sup>  
 2x2,5 mm<sup>2</sup>; for DALI 2x2,5 mm<sup>2</sup> + 2x1,5 mm<sup>2</sup>  
 3x1,5 mm<sup>2</sup>; for DALI 3x1,5 mm<sup>2</sup> + 2x1,5 mm<sup>2</sup>  
 3x2,5 mm<sup>2</sup>; for DALI 3x2,5 mm<sup>2</sup> + 2x1,5 mm<sup>2</sup>  
 4x1,5 mm<sup>2</sup>; for DALI 4x1,5 mm<sup>2</sup> + 2x1,5 mm<sup>2</sup>  
 4x2,5 mm<sup>2</sup>; for DALI 4x2,5 mm<sup>2</sup> + 2x1,5 mm<sup>2</sup>  
 5x1,5 mm<sup>2</sup>; for DALI 5x1,5 mm<sup>2</sup> + 2x1,5 mm<sup>2</sup>  
 5x2,5 mm<sup>2</sup>; for DALI 5x2,5 mm<sup>2</sup> + 2x1,5 mm<sup>2</sup>

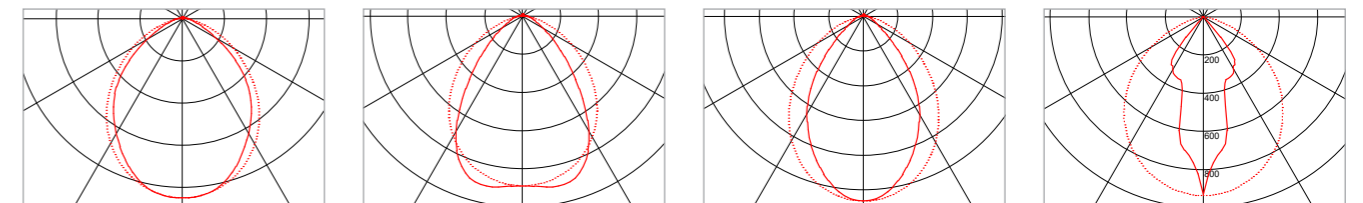
**Digit**

\* = 0  
 \* = 1  
 \* = 2  
 \* = 3  
 \* = 4  
 \* = 5  
 \* = 6  
 \* = 7  
 \* = 8

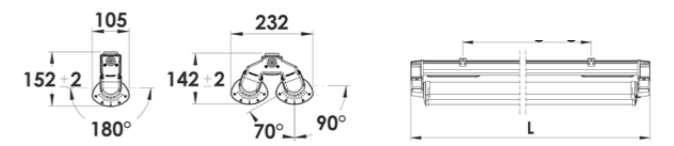
**WHY APOLLO G2 INDUSTRY?**

- ✓ **INDUSTRIAL LED BOARD**
- ✓ **INDUSTRIAL CONVERTER**

Longer lifetime, less maintenance, higher ambient temperature



**Protection class I**  
**Ingress Protection IP65**  
 Dust-tight, water jet proof, 220-240V 50/60Hz, \*registered



# LUNA

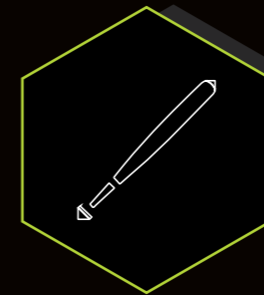
## PRO | PRO INDUSTRY | XLS



**HOUSING** Polycarbonate, impact-resistant, IK08.  
**LAMP COVER** Polycarbonate with integrated LED unit.  
**SEALS** Ageing-resistant silicone seals.  
**ELECTRICAL COMPONENTS** High power LEDs, LED converter.  
**ASSEMBLY** Variable mounting distances due to PRACHT-CLIP-SYSTEM. Suitable for ceiling, vertical wall, pendant and rail mounting.  
**FIELDS OF APPLICATION** Parking garages, basements, workshops, 1:1 fluorescent light-exchange, logistic halls, warehouse areas, technical facility rooms.

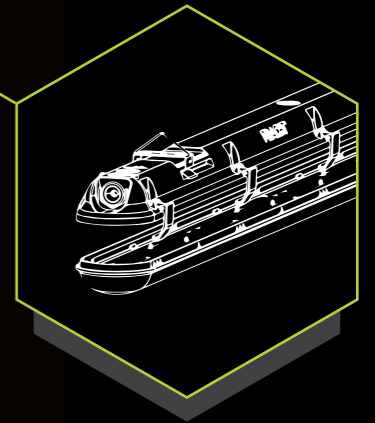
### INTEGRATED LED

The LEDs are integrated in the reflector. Particularly fast and safe connection. Homogeneous light emission.

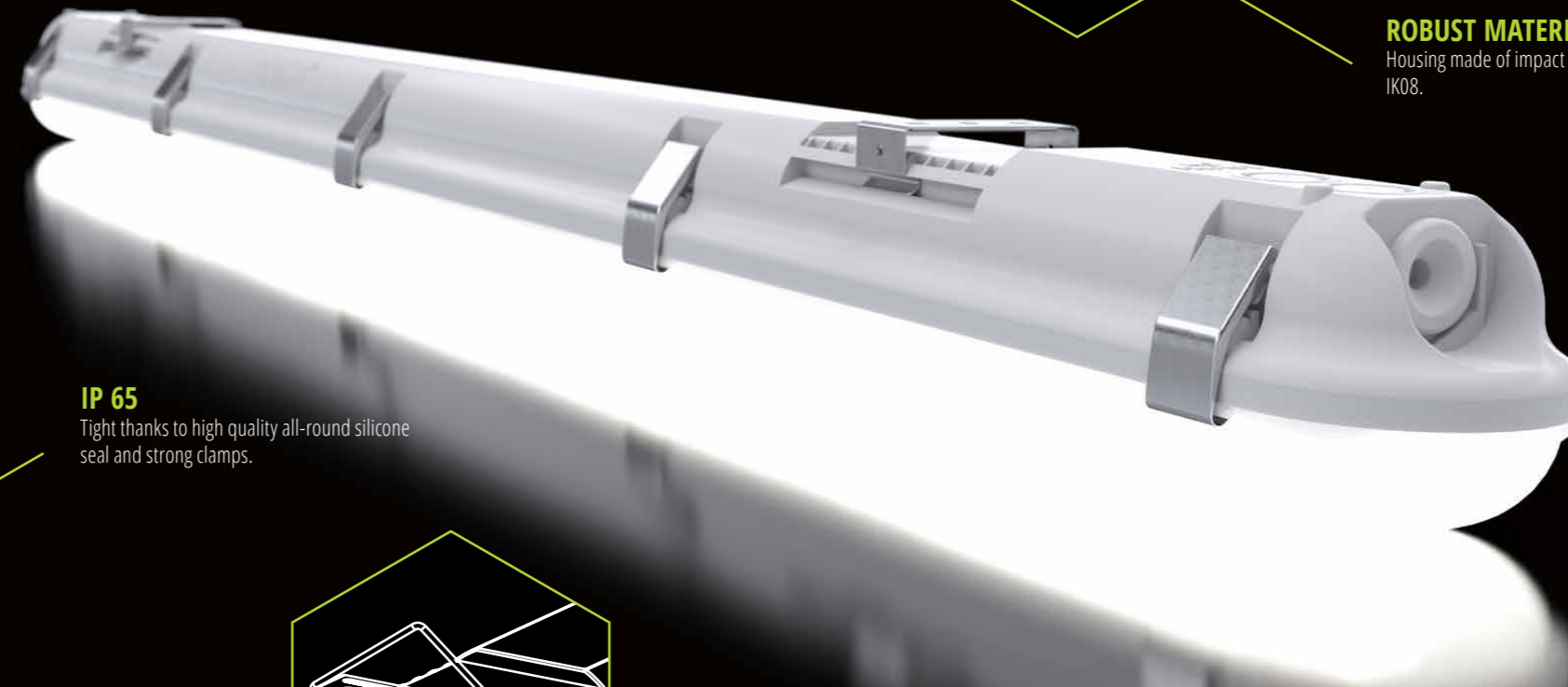


### ROBUST MATERIALS

Housing made of impact resistant polycarbonate IK08.



SCAN HERE FOR THE LUNA FLYER



### SUITABLE CABLE ENTRY

The cable entry can be on the front or back side. ESD protected installation



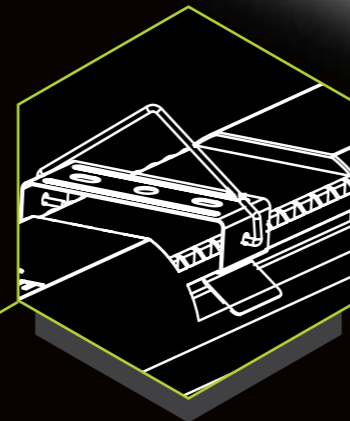
### IP 65

Tight thanks to high quality all-round silicone seal and strong clamps.



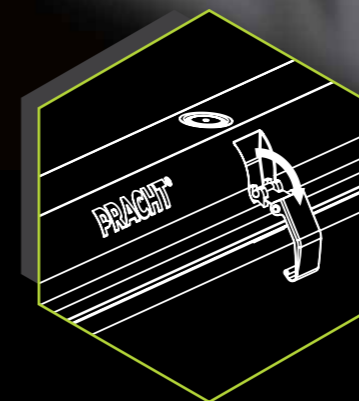
### SECURE MOUNTING

Suitable for all situations. Pendant, ceiling and wall mounting. Variable mounting distances.



### CLOSURES

High-quality stainless steel toggle latches without sharp edges.



### FROM EVERYDAY TO EXTREME - THE RIGHT SEGMENT FOR EVERY REQUIREMENT

ECO LINE

BASIC LINE

PRO LINE

**FOR EVERYDAY LIFE**  
 Cost-effective and easy to assemble

**FOR PROFESSIONALS**  
 Industrial quality with 5 year PRACHT warranty

**FOR THE EXTREME**  
 Customised solutions & highest requirements

5

YEAR WARRANTY



UP TO 100.000 h LIFETIME



CONTAINS A LIGHT SOURCE OF ENERGY EFFICIENCY CLASS B

IP65



FROM -25 °C TO +40 °C DEPENDING ON MODEL

**LUNA PRO**  $R_a > 80$ , color temperature 4000 K, light distribution 120° wide beam, Ta: -20°C ... +35°C.

P/N	Power	Luminous flux	Length	XLS Code P/N	XLS C Master P/N
5291004	1x22 W	2800 lm	1200 mm	-	-
5291005	1x31 W	3800 lm	1500 mm	-	-
5291014	1x43 W	5400 lm	1200 mm	-	-
5291015	1x52 W	6500 lm	1500 mm	-	-
5291009	1x22 W	2800 lm	1200 mm	DIM-Casambi 5291009x00	5291009x01
5291010	1x31 W	3800 lm	1500 mm	DIM-Casambi 5291010x00	5291010x01
5291019	1x43 W	5400 lm	1200 mm	DIM-Casambi 5291019x00	5291019x01
5291010	1x52 W	6500 lm	1500 mm	DIM-Casambi 5291010x00	5291010x01

**LUNA PRO INDUSTRY**  $R_a > 80$ , color temperature 4000 K, light distribution 120° wide beam, Ta: -20°C ... +35°C, with industry converter.

P/N	Power	Luminous flux	Length	XLS Code P/N	XLS C Master P/N
5291104	1x23 W	2800 lm	1200 mm	-	-
5291105	1x33 W	3800 lm	1500 mm	-	-
5291114	1x43 W	5400 lm	1200 mm	-	-
5291115	1x52 W	6500 lm	1500 mm	-	-
5291135	1x75 W	11000 lm	1500 mm	-	-
5291009	1x23 W	2800 lm	1200 mm	DIM-Casambi 5291109x00	5291109x01
5291010	1x33 W	3800 lm	1500 mm	DIM-Casambi 5291100x00	5291100x01
5291019	1x43 W	5400 lm	1200 mm	DIM-Casambi 5291119x00	5291119x01
5291010	1x52 W	6500 lm	1500 mm	DIM-Casambi 5291110x00	5291110x01
5291130	1x75 W	11000 lm	1500 mm	DIM-Casambi 5291130x00	5291130x01

**ACCESSORIES**

Through-wiring	P/N
3x1,5mm² Set LUNA PRO 1,2m, consisting of rigid cable, 1x3pol terminal block one-sided	5552132
3x1,5mm² Set LUNA PRO 1,5m, consisting of rigid cable, 1x3pol terminal block one-sided	5552135
5x2,5mm² Set LUNA PRO 1,2m, consisting of rigid cable, 2x5pol terminal block	5552152
5x2,5mm² Set LUNA PRO 1,5m, consisting of rigid cable, 2x5pol terminal block	5552155

**NOTE**

With XLS C (Extended Lighting Solutions), the use of CASAMBI results in a powerful and individually scalable lighting control. CASAMBI is an intelligent technology and communicates via a radio system based on Bluetooth Low Energy. This technology enables to connect up to 127 subscribers via a meshed network. The administration takes place via app by smartphone, smartwatch or tablet and can also be used externally addressed and operated via remote access. Also available with integrated emergency lighting module or rechargeable battery on request.



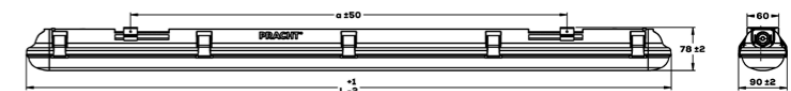
**NOTE**

**OTHER LIGHT COLORS AVAILABLE ON REQUEST.**

Light color: 830, 850, 865 Please add the LC code to P/N. Example: 1x54W, wide 120°, without through-wiring, with 4000K, Ra>80: 5291110850 Light colors differing from standard require longer delivery times. Photometric data is based on light color 840.



**Protection class I**  
**Ingress Protection IP65**  
 220-240V 50/60 Hz,  
 \*for basic type LUNA PRO ON/OFF





# KATLA

## INDUSTRY | REMADE | XLS | SKII

**HOUSING** Translucent, impact resistant opalized housing made of one piece (shatter proof polycarbonate or NAWAROH®), endcaps made of PBT (shatter proof) or REMADE.

**SEALS** Durable, short silicone seals (silicone free optionally available).

**ELECTRICAL COMPONENTS** High performance LED, LED converter. THROUGH-WIRING 3x1,5mm<sup>2</sup> factory-installed (exception XLS).

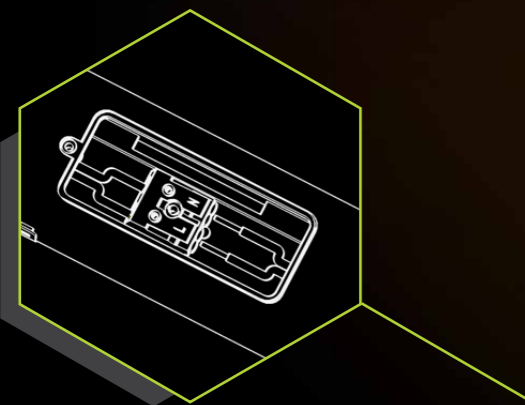
**INSTALLATION** Variable mounting points due to PRACT-CLIP-SYSTEM. Easy access power supply spaces.

**FIELDS OF APPLICATION** Depending on model: Parking decks, basements, factories, service areas, logistics and production centers, service pits, technical and secondary rooms, unprotected outdoor areas.

**TECHNICAL DETAILS** See all technical and lighting data concerning our luminaires on pracht.com



SCAN HERE  
FOR THE  
KATLA FLYER



### FAST INSTALLATION

Thanks to two spacious grid connection units.

**5**

YEAR  
WARRANTY



UP TO 100.000 h  
LIFETIME



CONTAINS A LIGHT  
SOURCE OF ENERGY  
EFFICIENCY CLASS C-D

**ENEC**



FROM -20 °C TO +45 °C  
DEPENDING ON MODEL

**IP66**



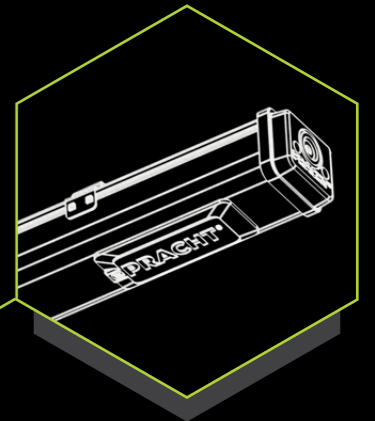
### SUSTAINABLE

Remade version - luminaire made from 99% recycled materials.

### INDUSTRY VERSION

Industry components - longer lifetime, low maintenance, real power

### PRACT<sup>®</sup>



### CEILING ILLUMINATION

Say goodbye to dark multi-storey car park ceilings.

### FROM EVERYDAY TO EXTREME - THE RIGHT SEGMENT FOR EVERY REQUIREMENT

ECO LINE

BASIC LINE

PRO LINE

#### FOR EVERYDAY LIFE

Cost-effective and easy to assemble

#### FOR PROFESSIONALS

Industrial quality with 5 year PRACT warranty

#### FOR THE EXTREME

Customised solutions & highest requirements

**KATLA** Housing made of polycarbonate (shatter proof), Ta: -20°C ... +35°C, 4000K.

	P/N	Power	Luminous flux	Length	Weight	Through-Wiring
ON/OFF	9131120	1x20 W	2800 lm	1205 mm	1,2 kg	3x1,5 mm <sup>2</sup>
	9131150	1x26 W	3800 lm	1465 mm	1,4 kg	3x1,5 mm <sup>2</sup>
	9131160	1x37 W	4900 lm	1465 mm	1,5 kg	3x1,5 mm <sup>2</sup>
	9131180	1x52 W	6700 lm	1745 mm	1,7 kg	3x1,5 mm <sup>2</sup>
DIM-DALI	9171168	1x22 W	2800 lm	1205 mm	1,4 kg	3x1,5 mm <sup>2</sup> + 2x1,5 mm <sup>2</sup>
	9171169	1x29 W	3800 lm	1465 mm	1,6 kg	3x1,5 mm <sup>2</sup> + 2x1,5 mm <sup>2</sup>
	9171269	1x40 W	4900 lm	1465 mm	1,6 kg	3x1,5 mm <sup>2</sup> + 2x1,5 mm <sup>2</sup>
	9171280	1x53 W	6700 lm	1745 mm	1,8 kg	3x1,5 mm <sup>2</sup> + 2x1,5 mm <sup>2</sup>

**KATLA INDUSTRY** Housing made of polycarbonate (shatter proof), Ta: -20°C ... +45°C, 4000K.

	P/N	Power	Luminous flux	Length	Weight	Through-Wiring
ON/OFF	9137334	1x39 W	5300 lm	1495 mm	1,3 kg	3x1,5 mm <sup>2</sup>
	9137374	1x52 W	6800 lm	1495 mm	1,5 kg	3x1,5 mm <sup>2</sup>
	9137355	1x53 W	7200 lm	1745 mm	1,5 kg	3x1,5 mm <sup>2</sup>
	9137375	1x64 W	8500 lm	1745 mm	1,7 kg	3x1,5 mm <sup>2</sup>
DIM-DALI	9137339	1x39 W	5300 lm	1495 mm	1,4 kg	3x1,5 mm <sup>2</sup> + 2x1,5 mm <sup>2</sup>
	9137379	1x52 W	6800 lm	1495 mm	1,6 kg	3x1,5 mm <sup>2</sup> + 2x1,5 mm <sup>2</sup>
	9137350	1x53 W	7200 lm	1745 mm	1,6 kg	3x1,5 mm <sup>2</sup> + 2x1,5 mm <sup>2</sup>
	9137370	1x64 W	8500 lm	1745 mm	1,8 kg	3x1,5 mm <sup>2</sup> + 2x1,5 mm <sup>2</sup>

**KATLA SK II** Housing made of polycarbonate (shatter proof), Ta -20°C ... +30°C, 4000K.

	P/N	Power	Luminous flux	Length	Weight	Through-Wiring
ON/OFF	9128123	1x23 W	2800	1205 mm	1,3 kg	2x1,5 mm <sup>2</sup>
	9128124	1x30 W	3700	1465 mm	1,3 kg	2x1,5 mm <sup>2</sup>
	9128134	1x37 W	4500	1465 mm	1,3 kg	2x1,5 mm <sup>2</sup>
	9128135	1x39 W	4800	1745 mm	1,5 kg	2x1,5 mm <sup>2</sup>
DIM-DALI	9128128	1x23 W	2800	1205 mm	1,3 kg	2x1,5 mm <sup>2</sup>
	9128129	1x30 W	3700	1465 mm	1,3 kg	2x1,5 mm <sup>2</sup>
	9128139	1x37 W	4500	1465 mm	1,3 kg	2x1,5 mm <sup>2</sup>
	9128130	1x39 W	4800	1745 mm	1,5 kg	2x1,5 mm <sup>2</sup>

**KATLA XLS S** Housing made of polycarbonate (shatter proof), Ta: -20°C ... +35°C, 4000K, with HF-sensor.

	P/N	Power	Luminous flux	Length	Weight	Through-Wiring
ON/OFF	9106120	1x20 W	2800	1205 mm	1,2 kg	-
	9106150	1x26 W	3800	1465 mm	1,4 kg	-
	9106160	1x37 W	4900	1465 mm	1,5 kg	-
	9106180	1x52 W	6700	1745 mm	1,7 kg	-

**KATLA XLS C** Polycarbonate housing (impact-resistant), Ta: -20°C ... +35°C, 4000K, with PRACHT CONNECT MODULE for CASAMBI.

	P/N	Power	Luminous flux	Length	Weight	Through-Wiring
ON/OFF	9171168x00	1x39 W	5300	1205 mm	1,40	3x1,5 mm <sup>2</sup>
	9171169x00	1x52 W	6800	1465 mm	1,60	3x1,5 mm <sup>2</sup>
	9171269x00	1x53 W	7200	1465 mm	1,60	3x1,5 mm <sup>2</sup>
	9171280x00	1x64 W	8500	1745 mm	1,80	3x1,5 mm <sup>2</sup>
DIM-DALI	9171168x01	1x39 W	5300	1205 mm	1,40	3x1,5 mm <sup>2</sup> +2x1,5 mm <sup>2</sup>
	9171169x01	1x52 W	6800	1465 mm	1,60	3x1,5 mm <sup>2</sup> +2x1,5 mm <sup>2</sup>
	9171269x01 A++	1x53 W	7200	1465 mm	1,60	3x1,5 mm <sup>2</sup> +2x1,5 mm <sup>2</sup>
	9171280x01	1x64 W	8500	1745 mm	1,80	3x1,5 mm <sup>2</sup> +2x1,5 mm <sup>2</sup>

**KATLA REMADE** Housing opalized (shatter proof), Ta -20°C ... +35°C, 4000K.

	P/N	Power	Luminous flux	Length	Weight	Through-Wiring
ON/OFF	9131121	1x20 W	2800 lm	1205 mm	1,2 kg	3x1,5 mm <sup>2</sup>
	9131151	1x26 W	3800 lm	1465 mm	1,4 kg	3x1,5 mm <sup>2</sup>
	9131161	1x37 W	4900 lm	1465 mm	1,5 kg	3x1,5 mm <sup>2</sup>
	9131181	1x52 W	6700 lm	1745 mm	1,7 kg	3x1,5 mm <sup>2</sup>
DIM-DALI	9131126	1x20 W	2800 lm	1205 mm	1,2 kg	3x1,5 mm <sup>2</sup> + 2x1,5 mm <sup>2</sup>
	9131156	1x29 W	3800 lm	1465 mm	1,4 kg	3x1,5 mm <sup>2</sup> + 2x1,5 mm <sup>2</sup>
	9171166	1x40 W	4900 lm	1465 mm	1,5 kg	3x1,5 mm <sup>2</sup> + 2x1,5 mm <sup>2</sup>
	9171186	1x53 W	6700 lm	1745 mm	1,7 kg	3x1,5 mm <sup>2</sup> + 2x1,5 mm <sup>2</sup>

**KATLA REMADE SKII** Housing opalized (shatter proof), Ta -20°C ... +35°C, 4000K.

	P/N	Power	Luminous flux	Length	Weight	Through-Wiring
ON/OFF	9128623	1x23 W	2800 lm	1205 mm	1,3 kg	2x1,5 mm <sup>2</sup>
	9128624	1x30 W	3700 lm	1465 mm	1,3 kg	2x1,5 mm <sup>2</sup>
	9128634	1x37 W	4500 lm	1465 mm	1,3 kg	2x1,5 mm <sup>2</sup>
	9128635	1x39 W	4800 lm	1745 mm	1,5 kg	2x1,5 mm <sup>2</sup>
DIM-DALI	9128628	1x23 W	2800 lm	1205 mm	1,3 kg	2x1,5 mm <sup>2</sup>
	9128629	1x30 W	3700 lm	1465 mm	1,3 kg	2x1,5 mm <sup>2</sup>
	9128639	1x37 W	4500 lm	1465 mm	1,3 kg	2x1,5 mm <sup>2</sup>
	9128630	1x39 W	4800 lm	1745 mm	1,5 kg	2x1,5 mm <sup>2</sup>

Product-specific data under [www.pracht.com](http://www.pracht.com)



Front end cable entry



Spacious grid connection



Bolted components



Flat ceiling structure



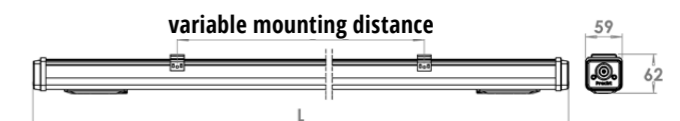
Ceiling illumination



Variable mounting points



Protection class I and II  
Ingress Protection IP66  
Dust-tight, protected against water jets, 220-240V 50/60 Hz, \*registered



# TUBIS

## N LED | LED INDUSTRY | LED RESISTANT

**HOUSING** Tubular housing, fully sealed made of PC (polycarbonate, shockproof), PO (PRACTOPAL®, PMMA, impact-resistant), Silicate glass, substantially acid and alkali resistant, diameter 90 mm.

**SEALS** Short, ageing resistant silicone seals.

**ELECTRICAL COMPONENTS** High performance LED, built-in converter.

**THROUGH-WIRING** 5x2.5 mm<sup>2</sup> max. available, depending on model

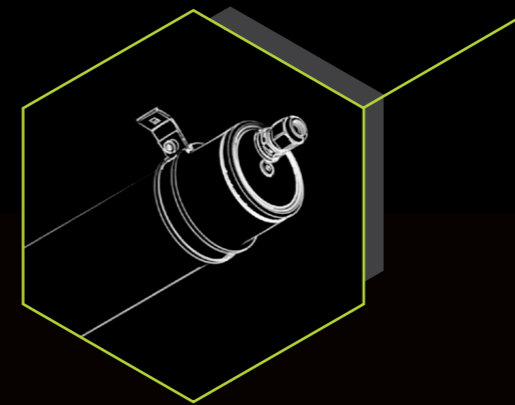
**INSTALLATION** Variable fixing points thanks to PRACT stainless steel clamps.

Suitable for ceiling, pendant, horizontal and vertical wall mounting.

**FIELDS OF APPLICATION** Unprotected outdoor areas, industrial and washing bays, high humidity areas.

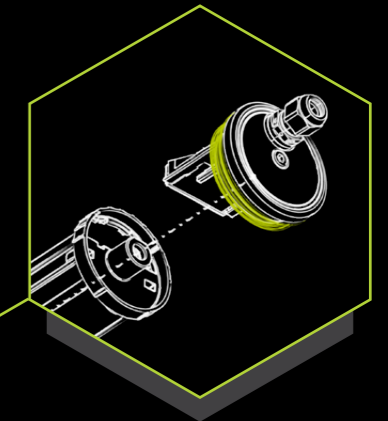


SCAN HERE FOR THE TUBIS FLYER



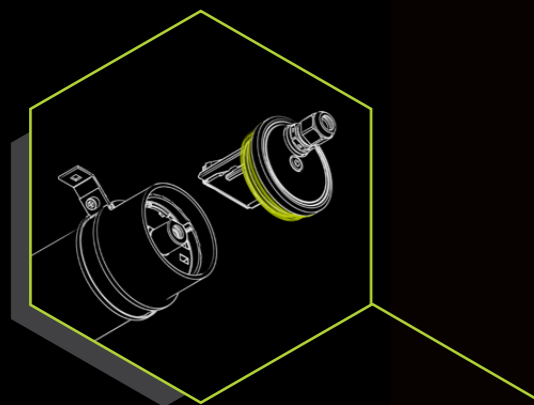
### MODEL INDUSTRY

Different light distributions.  
Industry components-strong power.



### EASY EXCHANGE OF COMPONENTS

TUBIS N LED + LED INDUSTRY  
- not glued  
- sustainable.

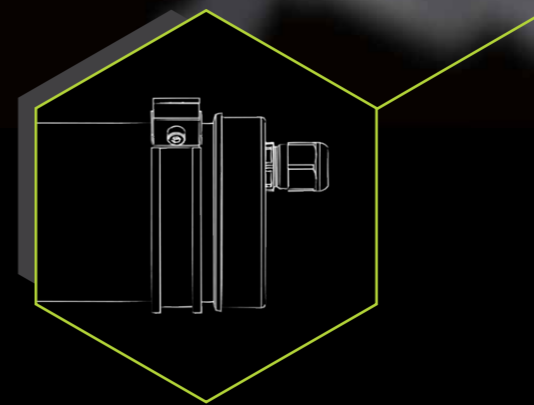


### IP 66/68/X9K

- Short sealing system  
- wide application spectrum

### COMPLETELY TIGHT.

TUBIS LED RESISTANT  
- in electroplating or similar  
- for environments contaminated with harmful gases (chlorine, sulphur, ammonia, etc.)



### FROM EVERYDAY TO EXTREME - THE RIGHT SEGMENT FOR EVERY REQUIREMENT

ECO LINE	BASIC LINE	PRO LINE
<b>FOR EVERYDAY LIFE</b> Cost-effective and easy to assemble	<b>FOR PROFESSIONALS</b> Industrial quality with 5 year PRACT warranty	<b>FOR THE EXTREME</b> Customised solutions & highest requirements

5

YEAR WARRANTY



UP TO 100.000 h LIFETIME

ENERGY EFFICIENCY CLASS

CONTAINS A LIGHT SOURCE OF ENERGY EFFICIENCY CLASS C-D

IP66  
IP68  
IPX9K



LIVESTOCK FARMING OPTIONAL



-30 °C TO +50 °C DEPENDING ON MODEL



UNPROTECTED OUTDOOR AREA

**TUBIS N LED** LVK = 125°, Housing PO (PRACHTOPAL®, impact-resistant), Ta -20°C ...+35°C

Performance	Luminous flux	Length	Weight	On/Off P/N	DIM-DALI P/N
1x17 W	2300 lm	700 mm	2,3 kg		72*3612
1x20 W	2700 lm	700 mm	2,3 kg		72*3632
1x31 W	4500 lm	1260 mm	3,5 kg		72*3614
1x37 W	5400 lm	1260 mm	3,5 kg		72*3634
1x39 W	5600 lm	1540 mm	4,0 kg		72*3615
1x47 W	6700 lm	1540 mm	4,0 kg		72*3635

<b>NOTE</b>	Please replace the * in the item no. with the corresponding number in the adjacent table!	<b>COMPLEMENTARY CODES FOR THROUGH-WIRING</b>	<b>Digit</b>	<b>Surcharge</b>
		Without through-wiring	* = 0	-- €
		Through-wiring 3x1.5 mm² = 10A 3x1.5 (luminaire length + 25 mm)	* = 3	applies
		Through-wiring 3x2.5 mm², with DALI 3x2.5 mm² + 2x2.5 mm²	* = 4	applies
		5x1.5 mm²; with DALI 3x1.5 mm² + 2x1.5 mm² (luminaire length + 25 mm)	* = 7	applies
		5x2.5 mm²; with DALI 3x2.5 mm² + 2x1.5 mm² (luminaire length + 25 mm)	* = 8	applies

**TUBIS LED INDUSTRY** PO cover (PRACHTOPAL®, impact-resistant), Ta -30°C ...+50°C, 4000K, various light distribution curves available.

Performance	Luminous flux	Length	Weight	LVK 125°			LVK 100°			LVK 80°		
				On/Off	On/Off	On/Off	DIM-DALI	DIM-DALI	DIM-DALI	DIM-DALI	DIM-DALI	DIM-DALI
1x31 W	4600 lm	1260 mm	4,0 kg	7a*31424	7a*32424	7a*33424	7a*31429	7a*32429	7a*33429	7a*31439	7a*32439	7a*33439
1x36 W	5500 lm	1260 mm	4,0 kg	7a*31434	7a*32434	7a*33434	7a*31439	7a*32439	7a*33439	7a*31449	7a*32449	7a*33449
1x38 W	5800 lm	1540 mm	4,2 kg	7a*31425	7a*32425	7a*33425	7a*31420	7a*32420	7a*33420	7a*31430	7a*32430	7a*33430
1x43 W	6300 lm	1260 mm	4,0 kg	7a*31444	7a*32444	7a*33444	7a*31449	7a*32449	7a*33449	7a*31459	7a*32459	7a*33459
1x47 W	6900 lm	1540 mm	4,2 kg	7a*31435	7a*32435	7a*33435	7a*31430	7a*32430	7a*33430	7a*31440	7a*32440	7a*33440
1x52 W	7900 lm	1540 mm	4,2 kg	7a*31445	7a*32445	7a*33445	7a*31440	7a*32440	7a*33440	7a*31450	7a*32450	7a*33450
1x60 W	8400 lm	1260 mm	4,0 kg	7a*31454	7a*32454	7a*33454	7a*31459	7a*32459	7a*33459	7a*31450	7a*32450	7a*33450
1x74 W	10500 lm	1540 mm	4,2 kg	7a*31455	7a*32455	7a*33455	7a*31450	7a*32450	7a*33450			

<b>NOTE</b>	Please replace the * in the item no. with the corresponding number in the adjacent table!	<b>COMPLEMENTARY CODES FOR THROUGH-WIRING</b>	<b>Digit</b>	<b>Surcharge</b>
		Without through-wiring	* = 0	-- €
		Through-wiring 3x1.5mm²; with DALI 3x1.5mm² + 2x1.5mm²	* = 3	applies
		Through-wiring 3x2.5mm²; with DALI 3x2.5mm² + 2x2.5mm²	* = 4	applies
		Through-wiring 5x1.5mm²	* = 7	applies
		Through-wiring 5x2.5mm²	* = 8	applies

**TUBIS LED RESISTANT** PO housing (PRACHTOPAL®, impact-resistant), Ta -30°C ...+50°C, gas-tight bonded, with 1m connection cable.

Performance	Luminous flux	Länge	Net weight	Dali P/N			LVK 100°			LVK 125°		
				LVK 80°	LVK 100°	LVK 125°	LVK 80°	LVK 100°	LVK 125°	LVK 80°	LVK 100°	LVK 125°
1x31 W	4600 lm	1260 mm	3,8 kg	7c*33~24	7c*32~24	7c*31~24	7c*33~29	7c*32~29	7c*31~29	7c*33~29	7c*32~29	7c*31~29
1x36 W	5800 lm	1540 mm	4,0 kg	7c*33~25	7c*32~25	7c*31~25	7c*33~20	7c*32~20	7c*31~20	7c*33~20	7c*32~20	7c*31~20
1x38 W	5500 lm	1260 mm	3,8 kg	7c*33~34	7c*32~34	7c*31~34	7c*33~39	7c*32~39	7c*31~39	7c*33~39	7c*32~39	7c*31~39
1x43 W	6300 lm	1260 mm	3,8 kg	7c*33~44	7c*32~44	7c*31~44	7c*33~49	7c*32~49	7c*31~49	7c*33~49	7c*32~49	7c*31~49
1x47 W	6900 lm	1540 mm	4,0 kg	7c*33~35	7c*32~35	7c*31~35	7c*33~30	7c*32~30	7c*31~30	7c*33~30	7c*32~30	7c*31~30
1x52 W	7900 lm	1540 mm	4,0 kg	7c*33~45	7c*32~45	7c*31~45	7c*33~40	7c*32~40	7c*31~40	7c*33~40	7c*32~40	7c*31~40
1x60 W	8400 lm	1260 mm	3,8 kg	7c*33~54	7c*32~54	7c*31~54	7c*33~59	7c*32~59	7c*31~59	7c*33~59	7c*32~59	7c*31~59
1x74 W	10500 lm	1540 mm	4,0 kg	7c*33~55	7c*32~55	7c*31~55	7c*33~50	7c*32~50	7c*31~50	7c*33~50	7c*32~50	7c*31~50

<b>NOTE</b>	Please replace the item no. */- with the corresponding number in the adjacent table!	<b>COMPLEMENTARY CODES FOR THROUGH-WIRING</b>	<b>Digit</b>	<b>Surcharge</b>	<b>COMPLEMENTARY CODES FOR THROUGH-WIRING</b>	<b>Digit</b>	<b>Surcharge</b>
		Without through-wiring	* = 0	-- €	SK 1 Wielandstecker	-- = 4	applies
		5x2.5 mm²; with DALI 3x2.5 mm² + 2x2.5 mm² (luminaire length + 25 mm)	* = 8	applies	SK 1 offen	-- = 3	-- €
					SK 2 Wielandstecker	-- = 9	applies
					SK 2 offen	-- = 8	-- €

PC-/REMADE Tubular housing  
TUBIS LED INDUSTRY



PO-Tubular housing  
TUBIS N LED and INDUSTRY



PO-Tubular housing  
TUBIS N LED FARMER



Two point mounting



P/N 0694038 (V2A) | 0705040 (V4A) | 0694138CH (chlorine resistant)

Single point mounting  
central fixing screw



P/N 0706041 (V2A) | 0706139 (V4A) | 0704045 (chlorine resistant)

Single point mounting  
Lever release



P/N 0704047 (V4A)

Single-point mounting with  
spring compensation



P/N 0706037 (V2A)

Pendulum installation



P/N 0698039 (V2A) | 0704048 (V4A) | 0704049 (chlorine resistant)

Pendulum installation  
with steel cable



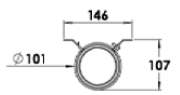
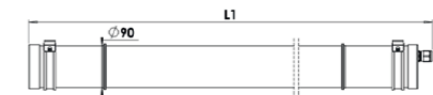
P/N 0706040 (V2A)

**ACCESSORIES** There is always a set of two point mounting clamps included. At least two clamps per luminaire are always required!

Specification	1.4301 (V2A) P/N	1.4571 (V4A) P/N	1.4529 (chlorine resistant) P/N
Two point mounting	0694038	0705040	0694138CH
Single point mounting, central fixing screw	0706041	0706139	0704045
Single point mounting, central fixing screw, Lever release	-	0704047	-
Single point mounting, central fixing screw, Lever release, counterbalancing spring	0706037	-	-
Pendulum mounting	0698039	0704048	0704049
Pendulum installation set (2 clamps), for pendulum mounting with 2m steel cable	0706040	-	-



Protection Class I  
Ingress protection IP68/IPX9K  
Dusttight, water pressure tight, 230V/50 Hz \*application pending





# TROJA

## G2 | MEDIENKANAL G2 | SKII

**HOUSING** Flat, made of stable aluminium (white, powder coated), vandalism protected, integrated ceiling/wall cable conduit.

**LAMP COVER** Made of polycarbonate (PC, shatter proof), opalised, bordered in aluminium profile frame, end caps made of die cast aluminium, optional Torx, Torx-TR (with pin) or individual safety lock.

**SEALS** Ageing resistant silicone seals.

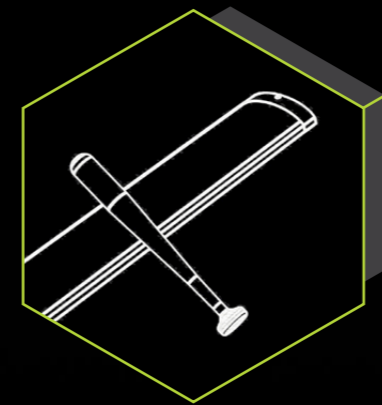
**THROUGH-WIRING** Max. 5x2,5 mm<sup>2</sup> + DALI available.

**INSTALLATION** Process-safe assembly due to PRACHT EASY CONNECT (PEC) System - LED board is integrated in lamp cover. Simple plugging for ESD protected mounting.

**FIELDS OF APPLICATION** Vandalism endangered areas, underpasses, public areas, traffic installations, railway stations, prisons.

**OPTION** Media channel, Graffiti-Protect-System, other light and housing colors available on request.

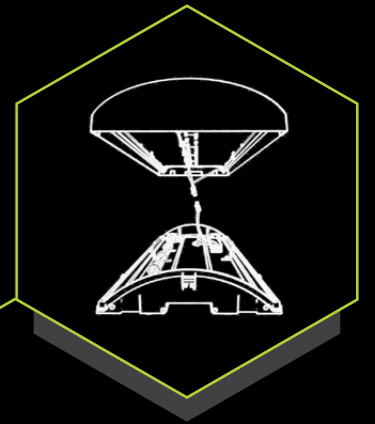
**TECHNICAL DETAILS** See all technical and lighting data concerning our luminaires on pracht.com



### TOUGH

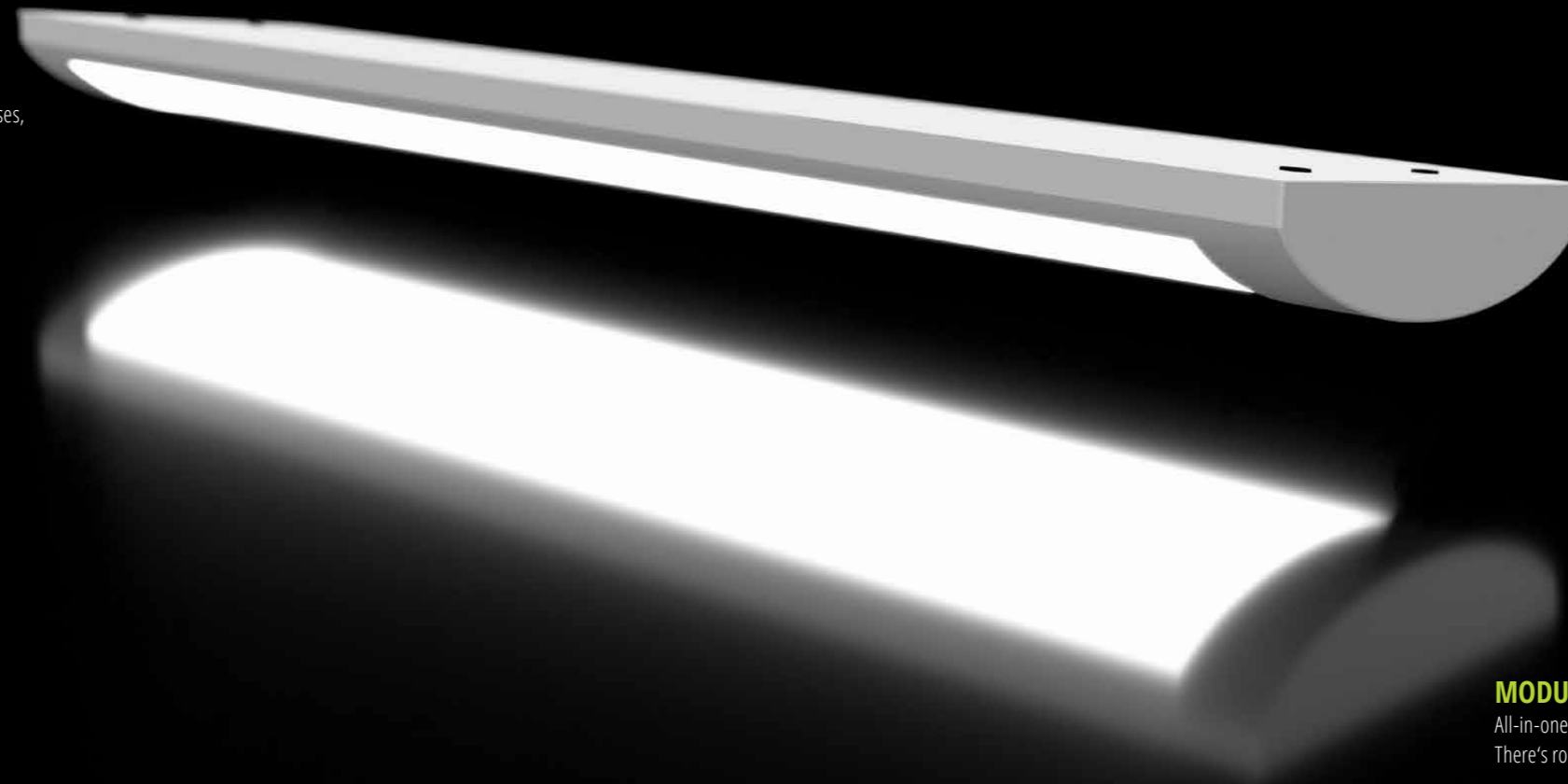
Vandalism protected up to 100 Joule IK10+ and anti graffiti protection (optional)

### PRACHT<sup>®</sup>

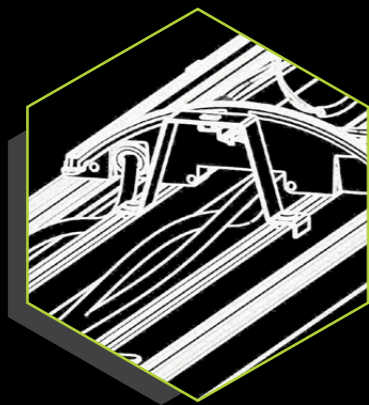


### PRACHT EASY CONNECT (PEC) SYSTEM

ESD Protection for LED by PEC System. Even faster and safer.



SCAN HERE FOR THE TROJA FLYER

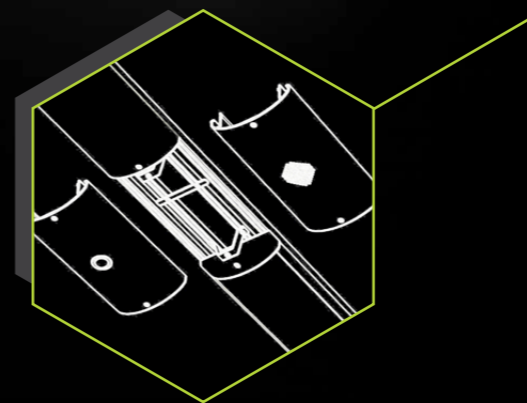


### MEDIA CHANNEL

Simple installation - 3 separate channels for separate cable ducts.

### MODULAR

All-in-one solution — luminaire, motion sensor, speaker etc. There's room for everything in the media channel.



### FROM EVERYDAY TO EXTREME - THE RIGHT SEGMENT FOR EVERY REQUIREMENT

#### ECO LINE

**FOR EVERYDAY LIFE**  
Cost-effective and easy to assemble

#### BASIC LINE

**FOR PROFESSIONALS**  
Industrial quality with 5 year PRACHT warranty

#### PRO LINE

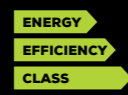
**FOR THE EXTREME**  
Customised solutions & highest requirements

5

YEAR WARRANTY



UP TO 100.000 h LIFETIME



CONTAINS A LIGHT SOURCE OF ENERGY EFFICIENCY CLASS D

100 JOULE

VANDALISM PROTECTED, IK10+



FROM -25 °C TO +40 °C DEPENDING ON MODEL

**TROJA G2 SKII** 4000K, Ra90, RAL9010, single luminaire suitable for mounting on media channel, PCII.

Power	Luminous flux	Length	Weight	ON/OFF 110° P/N	DIM-DALI 110° P/N	ON/OFF ASYM P/N	DIM-DALI ASYM P/N
1x18 W	1800 lm	705 mm	4 kg	76*36121	76*36171	76*36126	76*36176
1x23 W	2200 lm	705 mm	4 kg	76*36221	76*36271	76*36226	76*36276
1x26 W	2600 lm	705 mm	4 kg	76*36321	76*36371	76*36326	76*36376
1x35 W	3300 lm	705 mm	4 kg	76*36521	76*36571	76*36526	76*36576
1x31 W	3300 lm	1261 mm	7 kg	76*36141	76*36191	76*36146	76*36196
1x43 W	4400 lm	1261 mm	7 kg	76*36241	76*36291	76*36246	76*36296
1x51 W	5100 lm	1261 mm	7 kg	76*36341	76*36391	76*36346	76*36396
1x65 W	6500 lm	1261 mm	7 kg	76*36541	76*36591	76*36546	76*36596
1x40 W	4300 lm	1561 mm	9 kg	76*36151	76*36101	76*36156	76*36106
1x52 W	5500 lm	1561 mm	9 kg	76*36251	76*36201	76*36256	76*36206
1x62 W	6400 lm	1561 mm	9 kg	76*36351	76*36301	76*36356	76*36306
1x66 W	7000 lm	1561 mm	9 kg	76*36551	76*36501	76*36556	76*36506

**TROJA G2 SKII** 4000K, Ra90, RAL9010, single luminaire suitable for mounting on media trunking, PC II. With additional overvoltage protection and inrush current limiter.

Power	Luminous flux	Length	Weight	ON/OFF 110° P/N	DIM-DALI 110° P/N	ON/OFF ASYM P/N	DIM-DALI ASYM P/N
1x18 W	1800 lm	705 mm	4 kg	76*37121	76*37171	76*37126	76*37176
1x23 W	2200 lm	705 mm	4 kg	76*37221	76*37271	76*37226	76*37276
1x26 W	2600 lm	705 mm	4 kg	76*37321	76*37371	76*37326	76*37376
1x35 W	3300 lm	705 mm	4 kg	76*37521	76*37571	76*37526	76*37576
1x31 W	3300 lm	1261 mm	7 kg	76*37141	76*37191	76*37146	76*37196
1x43 W	4400 lm	1261 mm	7 kg	76*37241	76*37291	76*37246	76*37296
1x51 W	5100 lm	1261 mm	7 kg	76*37341	76*37391	76*37346	76*37396
1x65 W	6500 lm	1261 mm	7 kg	76*37541	76*37591	76*37546	76*37596
1x40 W	4300 lm	1561 mm	9 kg	76*37151	76*37101	76*37156	76*37106
1x52 W	5500 lm	1561 mm	9 kg	76*37251	76*37201	76*37256	76*37206
1x62 W	6400 lm	1561 mm	9 kg	76*37351	76*37301	76*37356	76*37306
1x66 W	7000 lm	1561 mm	9 kg	76*37551	76*37501	76*37556	76*37506

**TROJA G2 ACCESSORIES**

P/N	Description
0601661	Steel angle bracket for 45° luminaire corner mounting.

**TROJA G2 LIGHT COLORS** Standard light colors 4000K for class I and class II. (Other light colors available on request)

Version	Light colors
SKII	R <sub>a</sub> > 90: 3000K, 4000K (standard), 5000K

**NOTE** Longer delivery times are to be expected for light colors that deviate from the standard. Photometric data for PC I is based on LF 840, for PC II on LF 940.

EXPLANATION FOR ORDERING OF THROUGH-WIRING	Digit	Price
Without through-wiring	* = 0	
<b>SKII</b> 2x1,5 mm <sup>2</sup> ; and DALI 2x1,5 mm <sup>2</sup> + 2x1,5 mm <sup>2</sup>	* = 1	applies
2x2,5 mm <sup>2</sup> ; and DALI 2x2,5 mm <sup>2</sup> + 2x1,5 mm <sup>2</sup>	* = 2	applies
4x1,5 mm <sup>2</sup> ; and DALI 4x1,5 mm <sup>2</sup> + 2x1,5 mm <sup>2</sup>	* = 5	applies
4x2,5 mm <sup>2</sup> ; and DALI 4x2,5 mm <sup>2</sup> + 2x1,5 mm <sup>2</sup>	* = 6	applies

**COMMUNICATION**  
Room for sensors, controls and loudspeakers

**MOUNTING OPTIONS**  
Wall, ceiling, corner or pendant mounting

**ADJUSTABLE**  
Movable and definable spring nut for easy mounting.

**OVERHEAD WORK**  
Easy mounting thanks to locking function. Click in and relax while screwing it tight.

**LEADING AND KEEPING**  
Cables can be fixed even faster.

**PEC SYSTEM**  
Fastest installation thanks to PRACHT EASY CONNECT System.

**FLAT**  
Flat chamber with 3 separate channels for easier wiring.

**INTEGRATED**  
LED carrier integrated in cover - reliable ESD Protection.

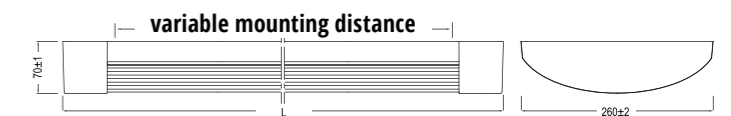
**TROJA MEDIENKANAL G2** Powder-coated RAL9010.

P/N	Description
0600705	TROJA MEDIA CHANNEL G2, Height 32mm, basic channel 1m.
0600706	TROJA MEDIA CHANNEL G2, Height 32mm, basic channel 2m.
0600707	TROJA MEDIA CHANNEL G2, Height 32mm, basic channel 3m.
0600710	Cover profile/blind field MEDIA CHANNEL G2, basic length 1m.
0600711	Cover profile/blind field MEDIA CHANNEL G2, basic length 2m.
0600712	Cover profile/blind field MEDIA CHANNEL G2, basic length 3m.

**ACCESSORIES MEDIA CHANNEL G2**

Art. Nr.	Beschreibung
0601652	Connector MEDIA CHANNEL G2 basic profile incl. screw
0601655	Cable bracket (aluminium) incl. mounting set
0601653	Mounting bracket for blind covering incl. accessories
0705854	End cap for basic profile MEDIA CHANNEL G2 incl. mounting accessories, aluminium, powder-coated RAL9010
0705855	End cap for MEDIA CHANNEL G2 incl. blind covering, incl. mounting accessories, aluminium, powder-coated RAL9010
0601722	Steel angle bracket for 45° media channel corner mounting, Initial/End piece closed, powder-coated RAL9010
0601721	Steel angle bracket for 45° media channel corner mounting, centerpiece cable duct at least 1 angle per basic profile, galvanized

**Protection class I according to VDE 0711/EN 60598**  
**Ingress protection IP65, class I and class II**  
 Dustproof, water jet proof, 230W/50Hz, \*registered



# QUADRONIUS

**FOOD | SPORT | WET | POOL  
HT | INDUSTRY**

**HOUSING** Die cast aluminium, white coating.

**LAMP COVER** Stempered glass, polycarbonate (PC, shatter proof), PMMA prism or PC prism.

**SEALS** Short, ageing-resistant silicone seals.

**ELECTRICAL COMPONENTS** High performance LED, converter.

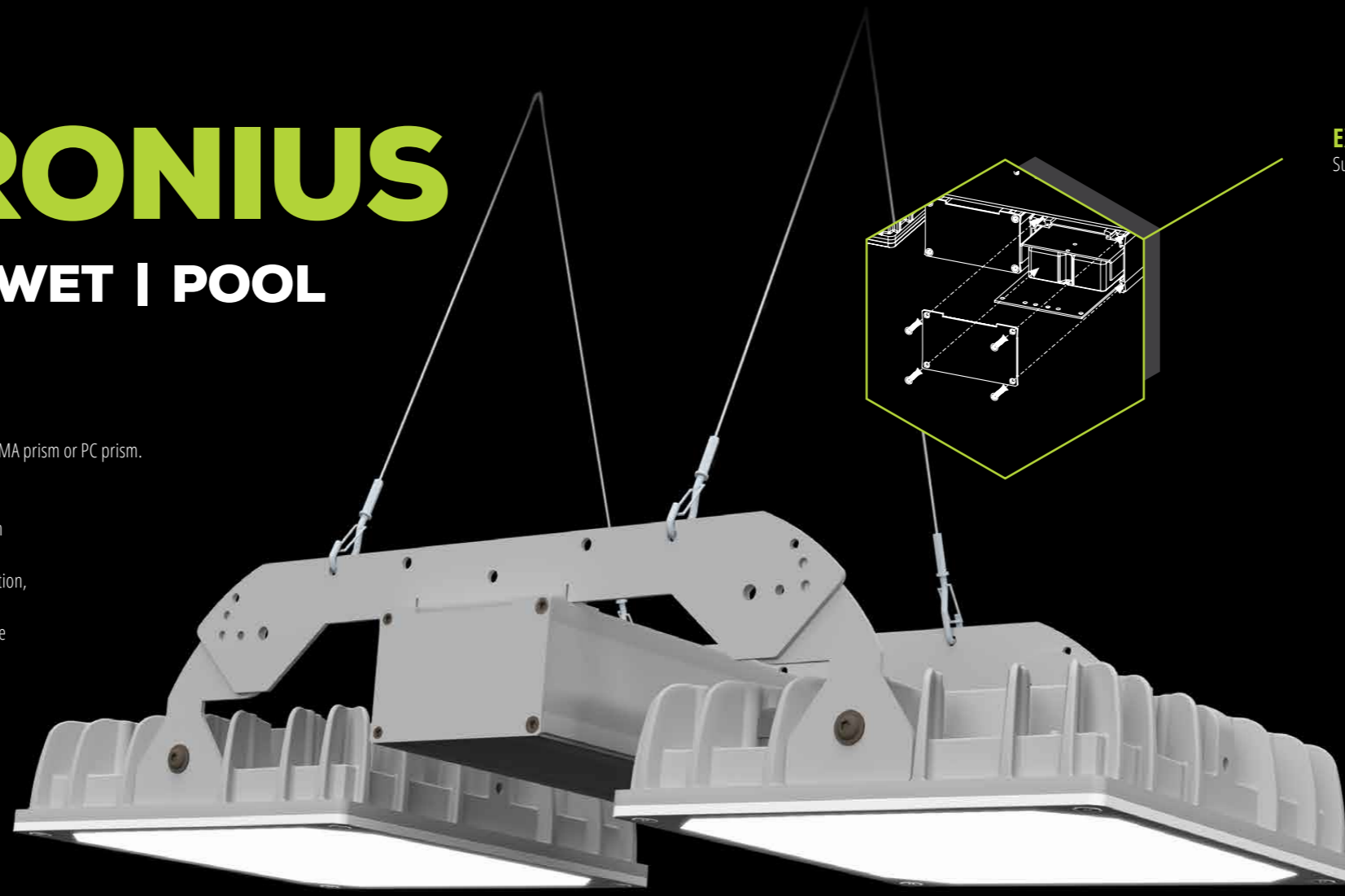
**INSTALLATION** Pendant mounting, direct ceiling or wall mounting with ceiling mounting bracket (accessories).

**OPTIONS** Other housing color, four-lamp version, emergency light function, daylight and motion control sensor.

**FIELDS OF APPLICATION** Logistic centers, industrial halls, cold storage facilities (-40°C), high-rack warehouses.

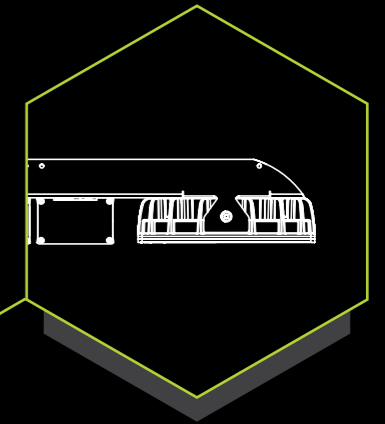
**Optional:** Unprotected outdoor areas, sports halls, high ambient temperature, livestock farming, swimming pools.

**TECHNICAL DETAILS** See all technical and lighting data concerning our luminaires on pracht.com



## EXCHANGEABLE COMPONENTS

Sustainable: not glued, thus no throw-away product.

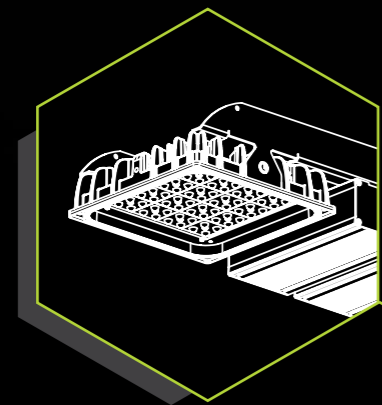


## THERMALLY DECOUPLED

Decoupled construction for optimum airflow distribution.



**SCAN HERE  
FOR THE  
QUADRONIUS FLYER**

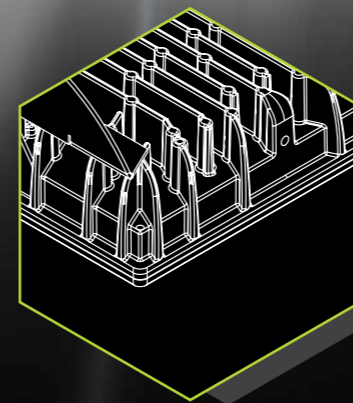


## EIGHT DIFFERENT OPTICS

For perfect illumination.

## HIGH-GRADE HOUSING

Die cast aluminium cooling ribs for intensive cooling.



## FROM EVERYDAY TO EXTREME - THE RIGHT SEGMENT FOR EVERY REQUIREMENT

ECO LINE

BASIC LINE

PRO LINE

**FOR EVERYDAY  
LIFE**  
Cost-effective and  
easy to assemble

**FOR PRO-  
FESSIONALS**  
Industrial quality with  
5 year PRACHT warranty

**FOR THE  
EXTREME**  
Customised solutions &  
highest requirements

**5**

**YEAR  
WARRANTY**



**UP TO 100.000 h  
LIFETIME**



**CONTAINS A LIGHT  
SOURCE OF ENERGY  
EFFICIENCY CLASS C-D**

**IP66**



**UNPROTECTED  
OUTDOOR AREA  
OPTIONAL**



**-40 °C TO +75 °C  
(DEPENDENT ON MODEL)**



MODELS

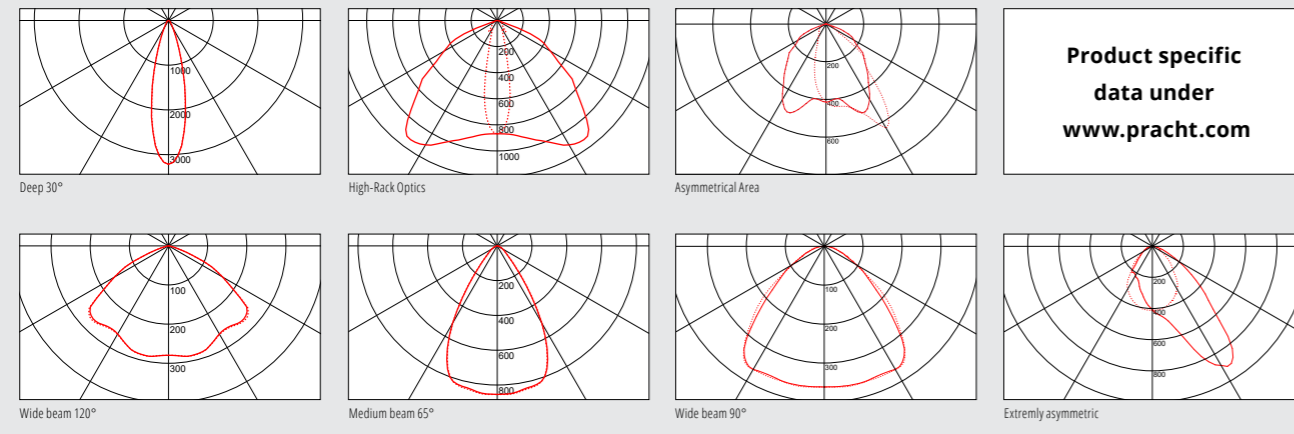
Model	Description	Surcharge single-lamp	Surcharge twin-lamp
<b>Standard</b>	Standard version suitable for many areas - logistics to industry and cold storage facilities or agriculture. Inclusive 2.000 mm adjustable wire pendant suspension.	-	-
<b>SPORT</b>	Safe to use in gymnasiums because of the shatter proof PC prismatic pane (luminous flux reduced by max 30% to standard) and ball-proof mounting bracket.	89,00 €	89,00 €
<b>WET</b>	Wind and weatherproof with additional cover and climate screw connection, without fastening accessories.	109,00 €	218,00 €
<b>POOL</b>	Withstands aggressive vapors thanks to special components and coatings for chlorine environments. With PMMA prismatic pane (luminous flux reduced by max 10% to standard), without mounting accessories.	295,00 €	549,00 €
<b>FOOD</b>	Hygienic, low maintenance and a dustproof PC pane -designed for the foodstuff and beverage industry.	-	-
<b>INDUSTRY</b>	Always DIM Dali, at 50°C ambient temperature L90B10 > 100.000 hours. Line filter according to highest industrial standard.	-	-
<b>HT</b>	Ideal thermal management and selected component for properly high temperature, up to +75°.	-	-

**QUADRONIUS** Single-lamp, 4000k, incl. 2.000 mm pendant mounting, 288 mm length. On/Off: Ta: -30°C...+45°C mm, 5,7kg. DIM-DALI: Ta: -30°C

Optics	Power	Luminous flux	P/N	SPORT	WET	POOL	FOOD
Wide 120°	1x97 W	15000 lm	86040101	-	86070101	86060101	86030101
Wide 90°	1x97 W	15000 lm	86140101	-	86170101	86160101	86130101
Medium 60°	1x97 W	15000 lm	86240101	-	86270101	86260101	86230101
Deep 30°	1x97 W	15000 lm	86340101	-	86370101	-	86330101
Asymmetric 60°	1x97 W	15000 lm	86540101	-	86570101	-	86530101
Wide 120°	1x137 W	20000 lm	86040201	86050201	86070201	86060201	86030201
Wide 90°	1x137 W	20000 lm	86140201	86150201	86170201	86160201	86130201
Medium 60°	1x137 W	20000 lm	86240201	86250201	86270201	86260201	86230201
Deep 30°	1x137 W	20000 lm	86340201	-	86370201	-	86330201
Asymmetric 60°	1x137 W	20000 lm	86540201	-	86570201	-	86530201
Asymmetrisch medium	1x143 W	15400 lm	85442001	84432001	86472001	84422001	85412001
Extremely asymmetric	1x143 W	15000 lm	85842001	-	-	84822001	-
Wide 120°	1x97 W	15000 lm	86040121	-	-	86060121	86030121
Wide 90°	1x97 W	15000 lm	86140121	-	-	86160121	86130121
Medium 60°	1x97 W	15000 lm	86240121	-	-	86260121	86230121
Deep 30°	1x97 W	15000 lm	86340121	-	-	-	86330121
Asymmetric 60°	1x97 W	15000 lm	86540121	-	-	-	86530121
Wide 120°	1x137 W	20000 lm	86040221	86050221	-	86060221	86030221
Wide 90°	1x137 W	20000 lm	86140221	86150221	-	86160221	86130221
Medium 60°	1x137 W	20000 lm	86240221	86250221	-	86260221	86230221
Deep 30°	1x137 W	20000 lm	86340221	-	-	-	86330221
Asymmetric 60°	1x137 W	20000 lm	86540221	-	-	-	86530221
Asymmetric medium	1x139 W	15400 lm	85442021	-	-	-	-
Extremely asymmetric	1x139 W	15000 lm	85842021	-	-	-	-
Asymmetric medium	1x143 W	15400 lm	-	84432021	-	84422021	85412021
Extremely asymmetric	1x143 W	15000 lm	-	-	-	84822021	-

ON/OFF

DIM-DALI



**QUADRONIUS** Two-lamp, 4000k, incl. 2.000 mm cable pendant. On/Off: Ta: -30°C...+45°C, 11,6 kg, 605 mm length. DIM-DALI: Ta: -40°C...+45°C, 13,6kg, 768 mm length

Optics	Power	Luminous flux	Standard	SPORT	POOL	FOOD
Wide 120°	2x97 W	30000 lm	86040601	-	86260601	86030601
Wide 90°	2x97 W	30000 lm	86140601	-	86160601	86130601
Medium 60°	2x97 W	30000 lm	86240601	-	86260601	86230601
Deep 30°	2x97 W	30000 lm	86340601	-	-	86330601
Wide 120°	2x137 W	40000 lm	86040701	-	86060701	86030701
Wide 90°	2x137 W	40000 lm	86140701	-	86160701	86130701
Medium 60°	2x137 W	40000 lm	86240701	-	86260701	86230701
Deep 30°	2x137 W	40000 lm	86340701	-	-	86330701
Wide 120°	2x97 W	30000 lm	86040621	-	86060621	86030621
Wide 90°	2x97 W	30000 lm	86140621	-	86160621	86130621
Medium 60°	2x97 W	30000 lm	86240621	-	86260621	86230621
Deep 30°	2x97 W	30000 lm	86340621	-	-	86330621
Wide 120°	2x137 W	40000 lm	86040721	86050721	86060721	86030721
Wide 90°	2x137 W	40000 lm	86140721	86150721	86160721	86130721
Medium 60°	2x137 W	40000 lm	86240721	86250721	86260721	86230721
Deep 40°	2x137 W	40000 lm	86340721	-	-	86330721

ON/OFF

DIM-DALI

ACCESSORIES

Description	P/N
Wall/ceiling mounting bracket single-lamp	06011071
Ceiling mounting bracket twin-lamp	06011081
Wall/ceiling mounting bracket single-lamp for model "POOL"	06012171
Ceiling mounting bracket twin-lamp for model „POOL“	06012181

QUADRONIUS INDUSTRY

DIM-DALI 4000k, incl. 2.000 mm pendant mounting, Ta: -40°C...+50°C mm, single-lamp: 457 mm length, 7,7 kg. Twin-lamp: 912 mm length, 15,5 kg.

Optics	P/N single-lamp	Power	Luminous flux	P/N twin-lamp	Power	Luminous flux
Wide 120°	86080221	1x134	14800 lm	86080621	2x134	29600 lm
Deep 25°	86280221	1x134	14900 lm	86280621	2x134	29700 lm
Medium 65°	86380221	1x134	15000 lm	86380621	2x134	29900 lm
Asymmetric medium	86480221	1x134	14500 lm	-	-	-
HRO	86580221	1x134	14300 lm	-	-	-

QUADRONIUS HT

DIM-DALI 4000k, incl. 2.000 mm pendant mounting, Ta: -40°C...+75°C mm, single-lamp: 457 mm length, 7,7 kg. Twin-lamp: 912 mm length, 15,5 kg.

Optics	P/N single-lamp	Power	Luminous flux	P/N twin-lamp	Power	Luminous flux
Breit 110°	86790121	1x119	13600 lm	86790521	2x119	27100 lm
Tief 40°	86890121	1x119	13100 lm	86890521	2x119	26200 lm

NOTE

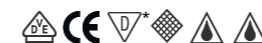
OTHER LIGHT COLORS AVAILABLE ON REQUEST.

97W + 137W = 830, 840, 850 139W + 143W = 827, 830, 840, 730, 740, 757, 765 Industry + HT = 827, 830, 840, 850, 730, 740, 757, 765

Please add LC-Code to P/N.

Example: 86040101830

Longer delivery times can be expected in case of divergent light colors. Lighting data is based on LC 840.



Protection Class I in accordance with VDE 0711/EN 60598, Ingress protection IP66  
Dustproof, water jet proof, 220-240V, 50/60Hz, \*up to +60°C





# COMO

## PRO

**HOUSING** Aluminum white powder coated

**LAMP COVER** Polycarbonate (PC, impact resistant).

**SEALING** Short, aging-resistant silicone seals.

**ELECTRICAL COMPONENTS** High power LED, LED converter, with 1 meter supply line.

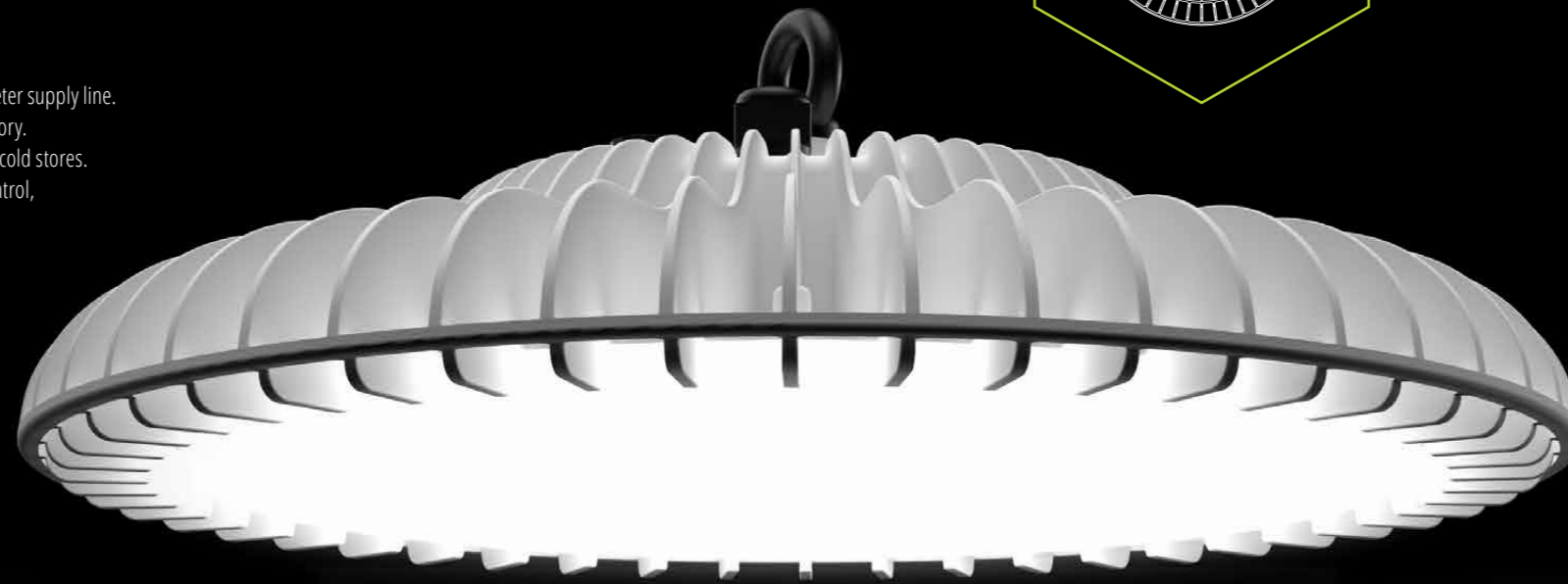
**MOUNTING** With suspension eye, bracket optionally available as accessory.

**APPLICATION AREAS** Logistics and maintenance halls, industrial halls, cold stores.

**CONFIGURABILITY** In the COMO PRO Line possible e.g. light colors, control, cable inlets and much more.

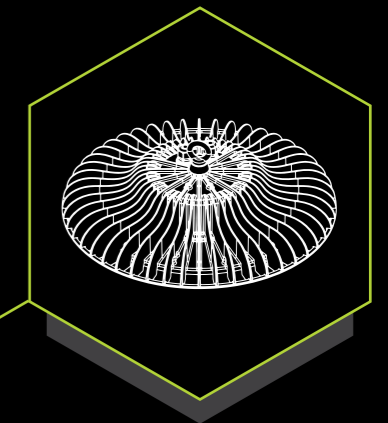
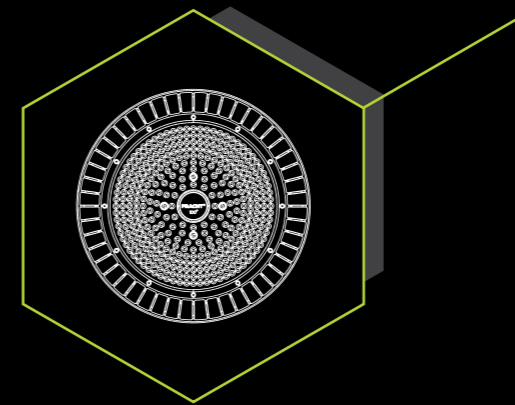


SCAN HERE  
FOR THE  
COMO FLYER



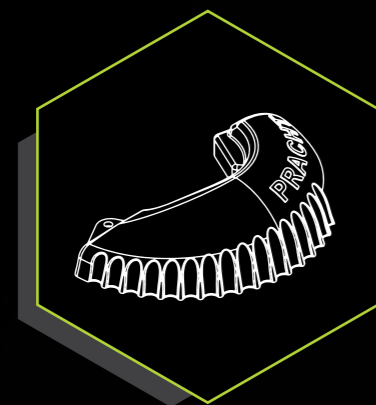
### GLARE FREE

Glare control through internally prismatic lenses.



### EASY

Perfect for refurbishment thanks to 1-point suspension.

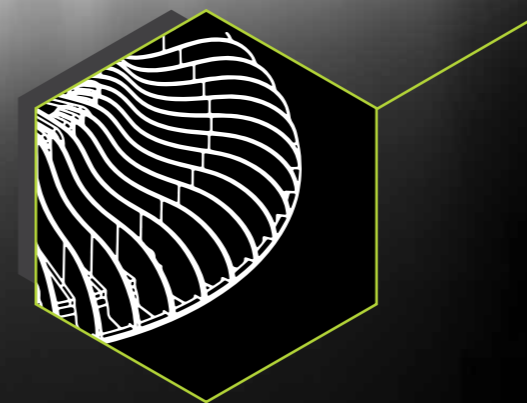


### SMART

Optionally controllable by PEC CASAMBI.

### PLAY IT COOL

Thermal management



### FROM EVERYDAY TO EXTREME - THE RIGHT SEGMENT FOR EVERY REQUIREMENT

ECO LINE

BASIC LINE

PRO LINE

**FOR EVERYDAY  
LIFE**  
Cost-effective and  
easy to assemble

**FOR PRO-  
FESSIONALS**  
Industrial quality with  
5 year PRACHT warranty

**FOR THE  
EXTREME**  
Customised solutions &  
highest requirements

5

YEAR  
WARRANTY



UP TO 100,000 h  
LIFETIME

IP65



FROM -40°C TO +50°C  
(DEPENDENT ON MODEL)

Do you like a little more? When standard applications demand more and the COMO BL is exhausted - then it is time for the COMO PRO, a configurable LED hall spotlight. Optional with e.g. a plug, different light colors or two different covers, also with special PMMA to ensure ammonia resistance

for animal husbandry. With 5 year warranty for the PRACHT PRO LINE, ON/OFF spotlight with standard but also a future-proof CASAMBI interface the COMO is the best choice!

**COMO PRO** Polycarbonate cover, color temperature 4000 K, diameter 380 mm, Ra>80, IP65, Ta -40°C ... +50°C, ON/OFF CASAMBI READY

	Model	P/N	Power	Optics	Luminous flux	Weight
ON/OFF	COMO PRO 150	96012121	1x135 W	wide 100°	20500 lm	3,9 kg
	COMO PRO 200	96011121	1x180 W	wide 100°	27000 lm	4,0 kg
	COMO PRO 150	96112121	1x135 W	medium 60°	20500 lm	3,9 kg
	COMO PRO 200	96111121	1x180 W	medium 60°	27000 lm	4,0 kg
DIM-DALI	COMO PRO 150	96072121	1x135 W	wide 100°	20500 lm	3,9 kg
	COMO PRO 200	96071121	1x180 W	wide 100°	27000 lm	4,0 kg
	COMO PRO 150	96172121	1x135 W	medium 60°	20500 lm	3,9 kg
	COMO PRO 200	96171121	1x180 W	medium 60°	27000 lm	4,0 kg
	COMO PRO 200	96176121	1x200 W	medium 60°	32000 lm	3,9 kg
	COMO PRO 200	96076121	1x200 W	wide 100°	32000 lm	4,0 kg

**COMO PRO** PMMA diffuser, color temperature 4000 K, diameter 380 mm, Ra>80, IP65, Ta -40°C ... +50°C, ON/OFF CASAMBI READY

	Model	P/N	Power	Optics	Luminous flux	Weight
ON/OFF	COMO PRO 150	96012221	1x150 W	wide 100°	20500 lm	3,9 kg
	COMO PRO 200	96011221	1x200 W	wide 100°	27000 lm	4,0 kg
	COMO PRO 150	96112221	1x150 W	medium 60°	20500 lm	3,9 kg
	COMO PRO 200	96111221	1x200 W	medium 60°	27000 lm	4,0 kg
DIM-DALI	COMO PRO 150	96072221	1x150 W	wide 100°	20500 lm	3,9 kg
	COMO PRO 200	96071221	1x200 W	wide 100°	27000 lm	4,0 kg
	COMO PRO 150	96172221	1x150 W	medium 60°	20500 lm	3,9 kg
	COMO PRO 200	96171221	1x200 W	medium 60°	27000 lm	4,0 kg
	COMO PRO 200	96176221	1x200 W	medium 60°	32000 lm	3,9 kg
	COMO PRO 200	96076221	1x200 W	wide 100°	32000 lm	4,0 kg

**ACCESSORIES**

Model	P/N	Description
Bügel COMO BL/PRO 150/200	9600019	Wall and ceiling mounting bracket white bracket COMO BL/PRO 150/200
PRACHT CONNECT MODUL	9602019	Plug-in module for all On/Off - COMO PRO for subsequent CASAMBI expansion

**NOTE**

**OTHER LIGHT COLOURS (LF 830, 865) POSSIBLE.**

Simply add LF code to the part number. Example: 1x150 W Wide 100° in 6500K: 96012221\_865  
For light color deviating from the standard, longer delivery times must be expected. Photometric data based on PRACHT LF 840.



**DISCOVER THE CASAMBI WORLD**

Industrial sensors, control units and accessories are available in the PRACHT CASAMBI world at [www.pracht.com/casambi](http://www.pracht.com/casambi)



**FOR ALL COMO AND XLS ARTICLES**

Discover a wide range of control, sensor and connectivity options!

	Description	P/N
<b>IN-WALL SWITCH MODULE</b>	<b>XLS CC SWITCH</b> The SWITCH is an extension of a traditional wall switch. The switch is integrated into the flush-mounted box and wired in series. Predefined scenes can now be activated or deactivated via ON/OFF. The app is only necessary for initial programming.	9800002
		
<b>SURFACE-MOUNTED PUSHBUTTON ( 4X)</b>	<b>XLS CC CONTROLLER</b> The CONTROLLER is a wireless push button user interface that can be freely configured with the Casambi App. The controller with its 4 definable buttons allows to operate predefined scenes, animations, single lights, groups of lights or everything simultaneously. It also has 4 predefined buttons for dimming and light color change. The app is only necessary for initial programming.	9800003
		
<b>DAYLIGHT-INDEPENDENT FOR AREAS WITH OBSTACLES SUCH AS PLANT AREAS</b>	<b>XLS CCS HF (High-Frequency)</b> The motion sensor with IP65 protection is designed for use in production halls. More suitable for areas with detection obstacles. It has a maximum installation height of 12 meters and can detect movements in diameter up to 6 meters.	9800007
		
<b>ACQUISITION OF AISLES AND ASYMMETRIC AREAS</b>	<b>XLS CCS ASYM</b> The daylight and motion sensor (infrared) with IP66 protection is designed for use in corridors and passageways. It has a maximum installation height of 12 meters and can detect movements in diameter of up to 3 or 5 meters (asymmetrical). In the app, the daylight sensor can be combined with luminaire control	9800004
		
<b>IDEAL FOR HIGH-BAY WAREHOUSES AND PRECISELY DEFINED SMALL AREAS</b>	<b>XLS CCS HRO</b> The daylight and motion sensor (infrared) with IP66 protection is designed for use in high-bay warehouses. It has a maximum installation height of 20 meters and can detect movements with a diameter of up to 5 meters. The daylight sensor can be combined with the luminaire control in the app	9800005
		
<b>FOR PARTICULARLY LARGE ACQUISITION AREAS SUCH AS FACTORY HALLS</b>	<b>XLS CCS HALL</b> The daylight and motion sensor (infrared) with IP66 protection is designed for use in halls. Especially where large open areas need to be monitored. It has a maximum installation height of 14 meters and can detect movements with a diameter of up to 28 meters. The daylight sensor can be combined with the luminaire control in the app.	9800006
		



Protection class I  
Ingress Protection IP65  
Dustproof, 220-240 V 50/60 Hz

# GECKO L

## EX-PROOF LUMINAIRES ZONES 1-21 & 2-22

**HOUSING** Durable, glass fiber reinforced polyester.

**LAMP COVER** Polycarbonate, impact-resistant, IK10.

**SEALS** Age-resistant silicone seals, sealed construction.

**ELECTRICAL COMPONENTS** Certified LED components and LED converters.

**MOUNTING** Suitable for pendant, ceiling, wall (vertical, horizontal and swivel) and pipe mounting. Accessories available separately. Each luminaire comes with 2 cable glands for secure in/out wiring.

**APPLICATION AREAS** Suitable for areas in which hazardous explosive atmospheres can occur, such as industry, refinery, in the oil and gas industry, open-cast mining, etc. Ambient temperature -30°... +55°C.

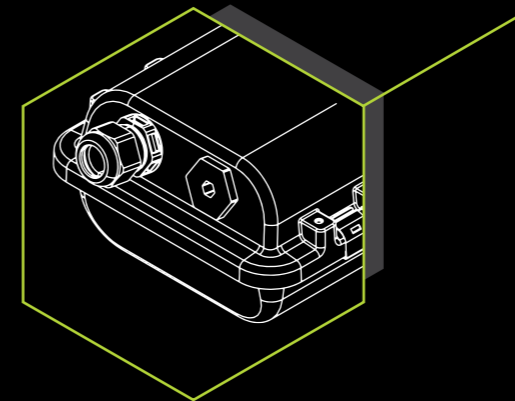


SCAN HERE FOR THE GECKO FLYER

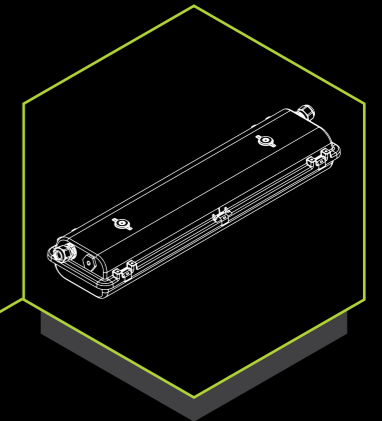


### VERSATILE

In-out wiring available ex works.



### PRACHT<sup>®</sup>



### FLEXIBLE

Various mounting options optionally available as accessories

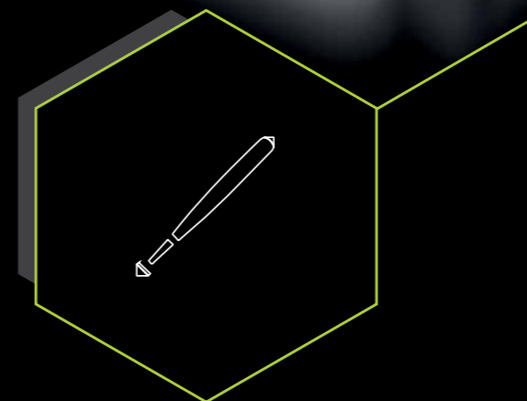


### EX-PROOF

Adapted to the challenges in hazardous areas.

### ROBUST MATERIALS

IK10 impact resistant.



### FROM EVERYDAY TO EXTREME - THE RIGHT SEGMENT FOR EVERY REQUIREMENT

ECO LINE

BASIC LINE

PRO LINE

**FOR EVERYDAY LIFE**  
Cost-effective and easy to assemble

**FOR PROFESSIONALS**  
Industrial quality with 5 year PRACHT warranty

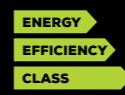
**FOR THE EXTREME**  
Customised solutions & highest requirements

5

YEAR WARRANTY



UP To 100.000 h LIFETIME



CONTAINS A LIGHT SOURCE OF ENERGY EFFICIENCY CLASS C-D

IP66



EX PROOF

IECEX

**ZONE 1-21** Single luminaire, colour temperature 4000 K, Ra>80, IP66\*

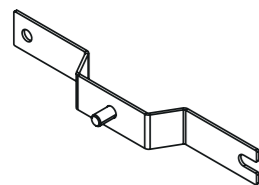
P/N without TW	P/N TW 5 x 2,5 mm²	Light distribution	Length	Luminous flux	Output	Efficiency
5281112	5282112	120° wide	670 mm	2600 lm	21 W	124 lm/W
5281104	5282104	120° wide	1278 mm	3800 lm	28 W	136 lm/W
5281114	5282114	120° wide	1278 mm	4800 lm	35 W	137 lm/W
5281124	5282124	120° wide	1278 mm	6800 lm	52 W	131 lm/W

**ZONE 2-22** Single luminaire, colour temperature 4000 K, Ra>80, IP66\*

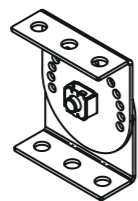
P/N without TW	P/N TW 5 x 2,5 mm²	Light distribution	Length	Luminous flux	Output	Efficiency
5281212	5282212	120° wide	670 mm	2700 lm	18 W	150 lm/W
5281204	5282204	120° wide	1278 mm	2800 lm	18 W	156 lm/W
5281214	5282214	120° wide	1278 mm	5500 lm	36 W	153 lm/W
5281224	5282224	120° wide	1278 mm	6600 lm	43 W	153 lm/W

**ACCESSORIES**

P/N	Description
EX55001	Ceiling mounting bracket set V2A
EX55002	Wall and ceiling mounting bracket set, swiveling
EX55003	Pendulum mounting set ring eye M8
EX55004	Pipe clamp 1 1/2" incl. screw M8
EX55005	Pipe clamp 2" incl. screw M8



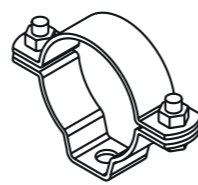
Ceiling mounting bracket set V2A



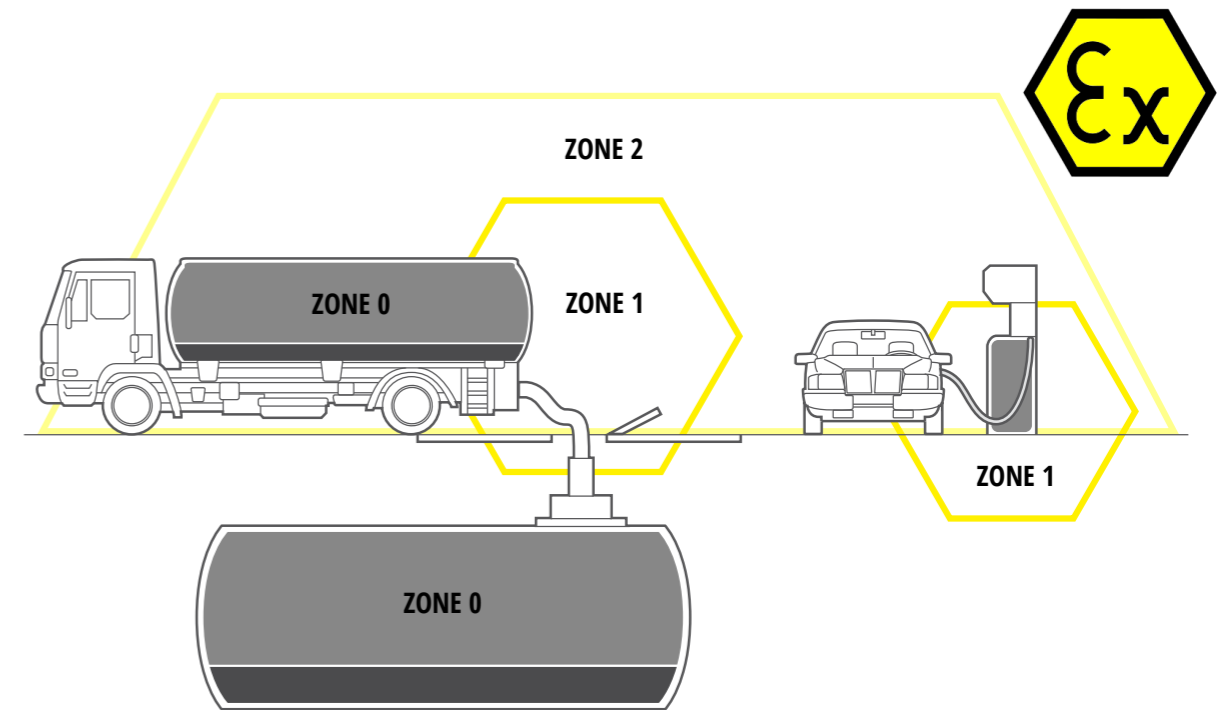
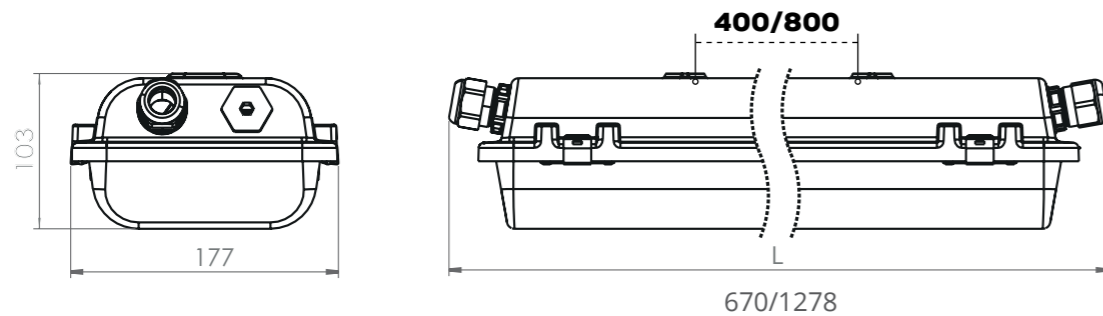
Wall and ceiling mounting bracket set, swiveling



Mounting bracket set, swiveling  
Pendulum mounting set ring



Pipe clamp 1 1/2" + 2" incl. screw M8



**EX-ZONEN**

**Zones with flammable gases, vapors or mists**

The first digit stands for zones in which there are potentially explosive gases, vapors or mists. The explosive atmosphere consists of a mixture of air with flammable substances in the form of gas, vapor or mist.

**Zone 0:** Area with a permanent or long-term explosive atmosphere.

**Zone 1:** In this area there is occasionally an explosive atmosphere during normal operation.

**Zone 2:** An explosive atmosphere is not to be expected in this area and if so, then only for a short time.

**Zones with combustible dust**

The next numbers indicate the zones with combustible dust. In these zones there is an explosive atmosphere in the form of a cloud of combustible dust contained in the air.

**Zone 20:** In this area there is a permanent or long-term explosive atmosphere.

**Zone 21:** An explosive atmosphere is occasionally present in this area during normal operation.

**Zone 22:** An explosive atmosphere is not to be expected in this area and if so, then only for a short time.



Protection class I  
Ingress Protection IP66  
220-240V 50/60 Hz



# LTEC/LTAC

## LIGHTING TRUNKING SYSTEM

**HOUSING** Stable high rigidity steel sheet track system with integrated cables.

LTEC with 4 conductors + PE, LTSC with 6 conductors + PE, LTAC with 10 conductors + PE.

**SEALS** Durable seals, IP55 protected. Meets the requirements of the sprinkler test (90 min).

**INSTALLATION** Fast mounting with variable mounting points.

**FIELDS OF APPLICATION** Storage facilities, logistic centers, industrial halls, cold storages, workshops.

**TECHNICAL DETAILS** For all technical and lighting data about our luminaires please visit [pracht.com](http://pracht.com)

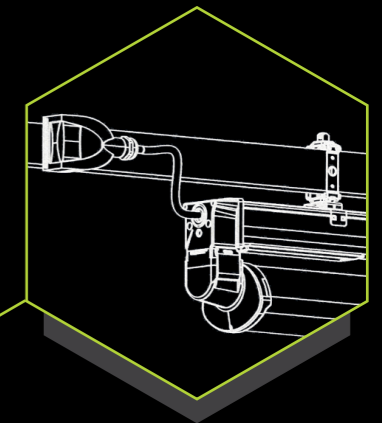
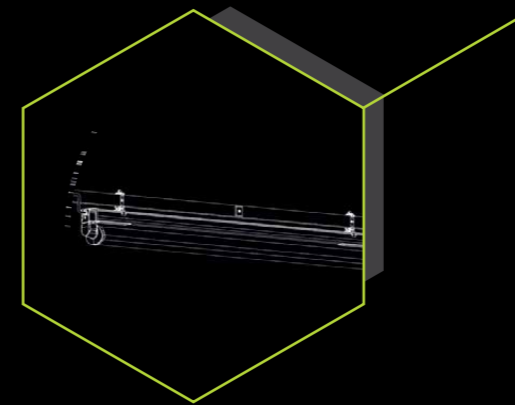


SCAN HERE  
FOR THE  
LTEC/LTAC FLYER



### MODULAR

The tapping points are at a distance of 1 metre - the lights can be set according to the lighting situation!

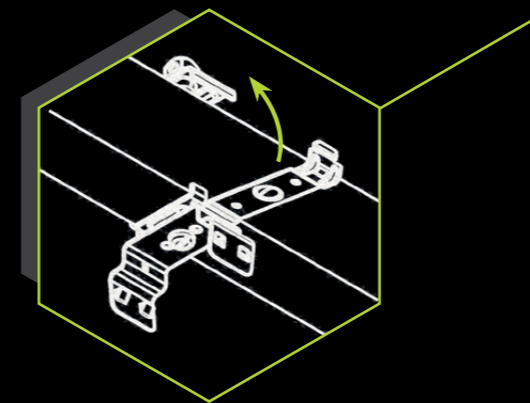


### EASY INSTALLATION

PRO LINE luminaires are equipped with pre-installed connecting cables and adapters - plug and ready.

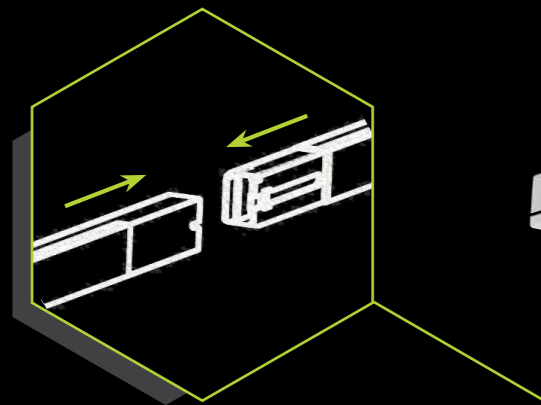
### EASY LUMINAIRE MOUNTING

It's that easy. Mount the rail and fix the luminaires with clamps.



### TIME IS MONEY

Fast installation due to easy connection of the bars.



### FROM EVERYDAY TO EXTREME - THE RIGHT SEGMENT FOR EVERY REQUIREMENT

ECO LINE

BASIC LINE

PRO LINE

**FOR EVERYDAY LIFE**  
Cost-effective and easy to assemble

**FOR PROFESSIONALS**  
Industrial quality with 5 year PRACHT warranty

**FOR THE EXTREME**  
Customised solutions & highest requirements

5

YEAR WARRANTY



LONG LIFETIME



SPRINKLER TEST PASSED

IP55

**LTEC - LIGHTING TRUNKING EASY CONNECT**

P/N	Description
9711210	LTEC (Easy Connect) feed unit (left) small, 25A with end cover max. 4mm <sup>2</sup> , PG 16 d=15mm, 3L+N+PE
9711215	LTEC (Easy Connect) feed unit (left) big, max. 10mm <sup>2</sup> , PG 21 d=21mm, 3L+N+PE
9711220	LTEC (Easy Connect) feed unit (right) big, max. 10mm <sup>2</sup> , PG 21 d=21mm, 3L+N+PE
9711130	LTEC (Easy Connect) mounting rail 3L+N+PE - 2m, 25A, mounting distance max. 3m
9711150	LTEC (Easy Connect) mounting rail 3L+N+PE - 3m, 25A, mounting distance max. 3m

**LTSC - LIGHTING TRUNKING STANDARD CONNECT**

P/N	Description
9711211	LTSC (Standard Connect) feed unit (left) big max.10mm <sup>2</sup> , PG 21 d=21mm 3L+N+PE+2x0,75mm <sup>2</sup>
9711151	LTSC (Standard Connect) mounting rail 3L+N+PE - 3m, 25A, mounting distances max. 3m + outlet control line
9711131	LTSC (Standard Connect) mounting rail 3L+N+PE - 2m, 25A, mounting distances max. 3m + outlet control line
9711221	LTSC (Standard Connect) feed unit (right) big max.10mm <sup>2</sup> , PG 21 d=21mm 3L+N+PE+2x0,75mm <sup>2</sup>

**LTAC - LIGHTING TRUNKING ADVANCED CONNECT**

P/N	Description
9712210	LTAC (Advanced Connect) feed unit (left) 25A mit Endabdeckung PE+Steuerleitung+2 Netze je 3L+N, max. 10mm <sup>2</sup> , 2x PG 21 d=21mm
9712220	LTAC (Advanced Connect) feed unit (right) 25A mit Endabdeckung PE+Steuerleitung+2 Netze je 3L+N, max. 10mm <sup>2</sup> , 2x PG 21 d=21mm
9712103	LTAC (Advanced Connect) mounting rail, PE + 2 Netze je 3L+N - 2m, 25A, Mounting distances max. 5m, 2+1 outlets, control cable one-sided
9712105	LTAC (Advanced Connect) mounting rail, PE + 2 Netze je 3L+N - 3m, 25A, Mounting distances max. 5m, 3+2 outlets, control cable one-sided

**ACCESSORIES**

P/N	Description
9711320	LTEC   LTSC mounting bracket for lighting trunking with steelcord 3m
9712321	LTAC universal mounting bracket galvanized for luminaires or mounting rail
9711310	LTEC   LTSC universal mounting bracket for luminaires or mounting rail
9711311	LTEC   LTSC COMO universal mounting bracket for luminaires or mounting rail with enlarged hole
9711312	LTAC COMO universal mounting bracket for luminaires or mounting rail with enlarged hole
9713100	LTEC   LTSC   LTAC 10 A output adapter with variable phase tap for mounting on luminaires Cable S05Z1Z1-F - 3x 1.5 mm <sup>2</sup> L+N+PE - 1 m - open cable ends
9713200	LTSC   LTAC Output adapter 16 A, with variable phase tap L+N+PE
9713000	Control contact 2-pole for outgoing adapter LTSC   LTAC (e.g. DALI)



LTEC | LTSC



LTEC



Open tap point



LTSC



LTSC



Feed unit



LTAC



LTAC



Protected tap point



**NOTE**

**PRACHT Service** - we prepare the PRO LINE luminaires thus far that the connection cable with adapter and the mounting brackets are delivered pre-assembled.

Please add the initials „EC“, „SC“ oder „AC“ to the luminaire P/N for pre-assembled delivery:

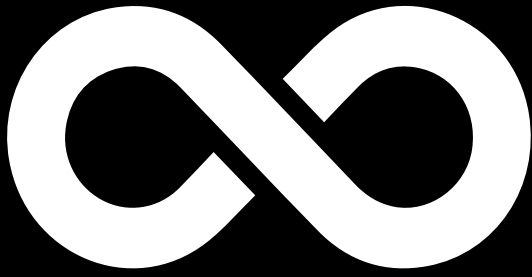
**LTEC | LTSC** Pre-assembly incl. output adapter 10 A and luminaire mounting clamp

**LTAC** Pre-assembly incl. output adapter 10 A and luminaire mounting clamp

**LTSC** Pre-assembly for DALI luminaires incl. output adapter 16 A, and luminaire mounting clamp

**LTAC** Pre-assembly for DALI luminaires incl. output adapter 16 A, and luminaire mounting clamp

# PRACHT®



## INFINITY

ANY  
LUMINAIRE  
CAN TURN  
INTO A  
PRACHT  
LUMINAIRE

**WITH OUR CIRCULAR FEED-BACK SYSTEM, WE ENABLE EVERY LUMINAIRE TO BECOME A PRACHT LUMINAIRE.**

**HOW DO WE DO THAT?**

**WE TAKE USED LUMINAIRES, RECYCLE AS MANY PLASTIC PARTS AS POSSIBLE AND MOULD THEM INTO NEW PRACHT LUMINAIRES. OUR LUMINAIRES CONTAIN UP TO 99% RECYCLED MATERIAL.**

**WITH THIS FORMULA, WE PRODUCE INDUSTRIAL LUMINAIRES THAT STAND FOR 100 % QUALITY.**

**INFINITY EMBODIES WHAT PRACHT STANDS FOR:**

**SUSTAINABILITY, EFFICIENCY, INNOVATION AND THE HIGHEST QUALITY.**



Alfred PRACHT Lichttechnik GmbH | PRACHT Lighting Solutions GmbH  
Am Seerain 3 | D-35232 Dautphetal-Buchenau/Lahn | Germany | Tel: +49 6466/9140-0 | [welcome@pracht.com](mailto:welcome@pracht.com)  
[pracht.com](http://pracht.com) | [video.pracht.com](https://video.pracht.com) | [www.pracht.com/ausschreibungstexte](https://www.pracht.com/ausschreibungstexte)